



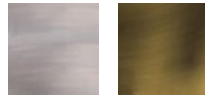
Project:

Location:

Fixture Type:

Catalog Number:

AVAILABLE FINISHES:



Parel

PRODUCT DESCRIPTION

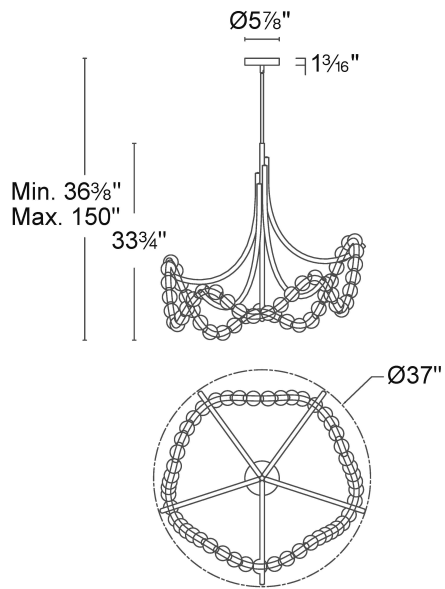
Spanish Alabaster beads are strung on an LED loop and draped over gleaming arms. Dress up your ceiling with this delightful luminaire.

FEATURES

- Driver concealed within the canopy
- Sculptural frame illuminated by a fixed silica strand of First class quality Spanish alabaster orbs
- Natural alabaster with unique veining in each crafted piece
- Three 12" and one 6" down rods included (additional sold separately)
- Slope ceiling adaptable. Hang straight swivel.
- NEC CODE (314.24) requires that ceiling outlet boxes in the U.S. support up to 50 lbs
- This fixture exceeds 50 lbs. and must be installed using a U.L. listed outlet box approved for up to 75 lbs. or supported independently of the outlet box

SPECIFICATIONS

Rated Life	54000 Hours
Standards	ETL, cETL,Damp Location Listed
Input	120-277 VAC,50/60Hz
Dimming	ELV, 0-10V, TRIAC
Color Temp	3000K
CRI	90
Construction	Steel frame with silica diffuser and natural alabaster shade



Model & Size	Color Temp	Finish	LED Watts	LED Lumens	Delivered Lumens
37"	3000K	AB Aged Brass	34.2W	3200	1346
	3000K	AN Antique Nickel	34.2W	3200	1346