



SUBMITTAL DATA

8-way Cassette Indoor Unit 18KBTU

Model: TM18R32BKDI

Job Name <input type="text"/>	Location <input type="text"/>	Date <input type="text"/>
Purchaser <input type="text"/>	Engineer <input type="text"/>	
Submitted to <input type="text"/>	For <input type="text"/>	
Unit Designation <input type="text"/>	Schedule No. <input type="text"/>	



GENERAL FEATURES:

- Quiet Operation
- Multi-Speed Fan
- 8-way Discharge Air
- Internal Condensate Drain Pump
- Swing Louver
- Both Wireless & Wired Remote Controllers
- Power Failure Recovery
- Sentry Condensate Overflow Protection
- Decorative Grille (Sold Separately)
- Limited 5 yr. Parts Warranty



SPECIFICATIONS & FUNCTIONS:

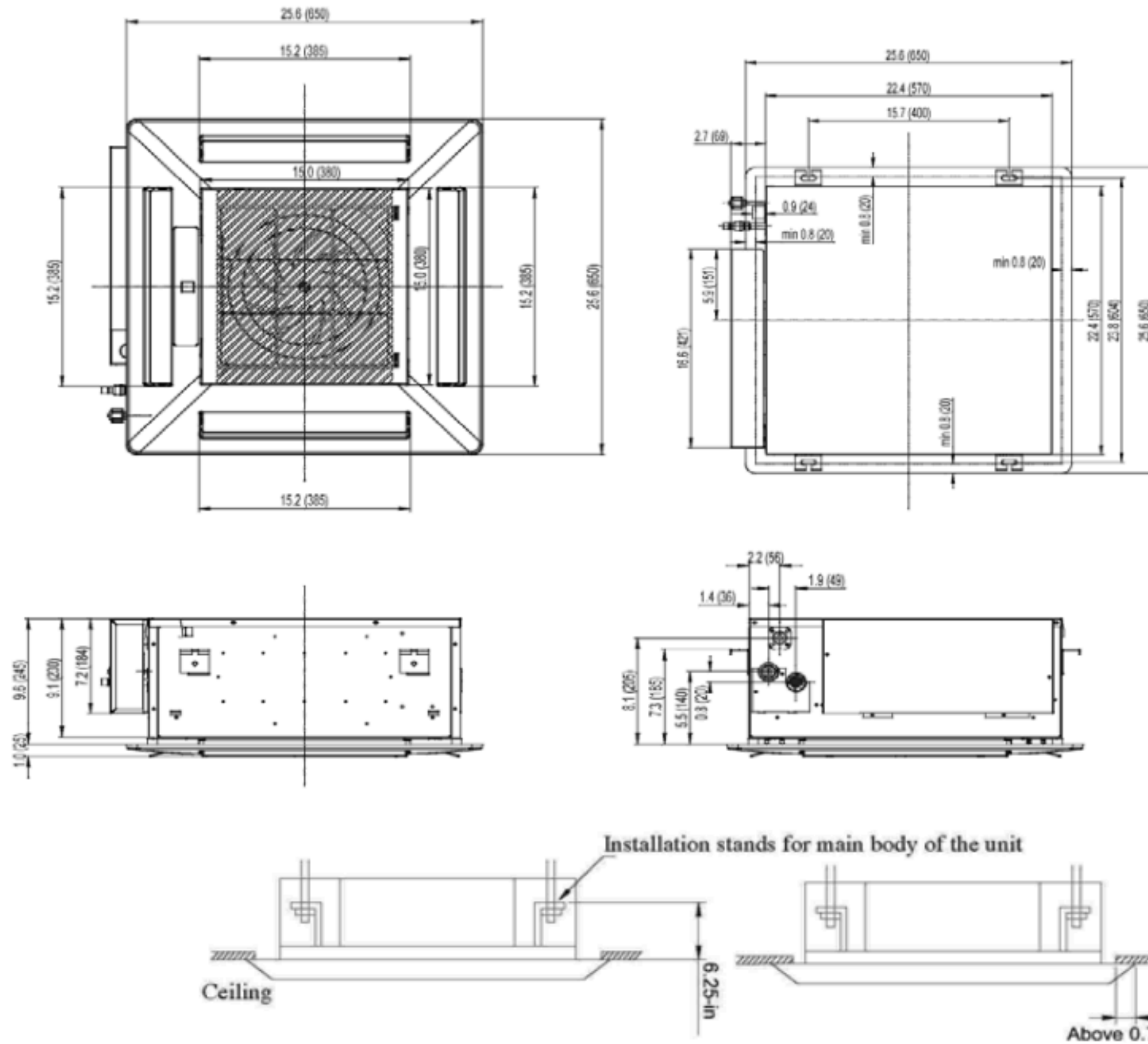
Product Model	TM18R32BKDI	
Product Type	--	Cassette
Power Supply	V/Ph/Hz	208-230 /1/60
Min/Max. Voltage	V	187/253
Cooling Capacity	Btu/h	14400
Heating Capacity	Btu/h	16000
Air Flow Volume	CFM	383/318/288/265/247/224/206
Sound Pressure Level	dB (A)	43/38/35/34/32/30/29
Rated Dehumidification Capacity	L/h	1.8
Dehumidifying Volume	Pint/h	3.8
Cross-sectional Area of Power Cable Conductor	mm ²	0.82
Cross-sectional Area of Power Cable Conductor	sq in	0.001271
Recommended Power Cable (Core)	N	4
Fuse Current	A	3.15
Fan Type	-	Centrifugal
Fan Quantity	-	1
Fan Diameter-height	mm	φ315-162.5
Motor Model	-	B-FN30C-ZL
Motor Insulation Class	-	E
Motor Safe Class	-	IP20
Motor Full Load Amp (FLA)	A	0.97
Fan Motor Speed (Cooling)	r/min	780/660/600/560/520/480/440
Fan Motor Speed (Heating)	r/min	780/660/600/560/520/480/440
Fan Motor Power Output	W	30
Fan Motor Power Input	W	35
Evaporator Material	-	Inner Groove Copper Tube- Aluminum fin
Evaporator Face Area	m ²	0.27
Evaporator Face Area	sq.ft	2.9
Evaporator Pipe Diameter	mm	φ7
Evaporator Number of Rows	-	2
Evaporator Tube Pitch(a)×Row Pitch(b)	mm	19.05×12.7
Evaporator Fin Pitch	mm	1.6
Evaporator Fins per Inch (FPI)	-	16
Evaporator Fin Type	-	Hydrophilic window
Evaporator Fin Color	-	Blue
Evaporator Number of Circuits	-	4
Evaporator Length (L×H×W)	mm	1176×228.6×25.4
Evaporator Max. Allowable Pressure	MPa	10
Air Filter	-	PP
Air Filter Size (L×W/NO.)	inch	14.49×13.89/1
Standard Software and Controller	-	YAP1F7F(WiFi)
Optional Software and Controller	-	XE73-44/E
Gas Pipe (to indoor unit)	inch	3/8"
Liquid pipe	inch	1/4"
Connection method	-	Flare Connection
Drain Connection (outer diameter)	inch	φ0.98
Dimension of Outline (W×D×H)	inch	22.44×22.44×10.43
Dimension of Carton Box (L×W×H)	inch	27.36×25.59×11.02
Dimension of Package (L×W×H)	inch	27.48×25.71×11.61
Stacked Layers	-	9
Net Weight	lb	37.5
Gross Weight	lb	48.5

Functions	TM18R32BKDI
Auto	YES
Cooling	YES
Heating	YES
Dehumidify	YES
Air Flow	YES
Sleep	Three kinds of sleep curve
Vertical Auto Swing	YES
Horizontal Auto Swing	NO
Auto Fan	YES
Quiet	YES
I Feel	YES
Intelligent Preheating	YES
Ventilation	NO
Dry Anti-mildew Design	YES
Several Optional Filters (e.g.: Active Carbon)	NO
Auto Clean	NO
Replaceable Front Panel	NO
Outdoor Air Available	NO
High Static Pressure	NO
Common Static Pressure	YES
Low Static Pressure	NO
Timer Feature	YES
Memory	YES
Turbo	YES
Clock	YES
Temperature	YES
Self-Diagnosis	YES
Lock	YES
LCD (No Back Light)	YES
LCD (Back Light)	NO
LED	YES
Intelligent Defrosting	YES
Force Defrosting	YES
Energy Saving	YES
8°C Heating Mode	YES
Turbo Cooling	YES
Low Ambient Cooling	Optional
Low Ambient Heating	Optional
Low Voltage Startup	YES
Multi Speeds	Speed 7
With Access Control System	YES
With Water Pump	YES
Switchover Between High and Low Static Pressures	NO
Optional Ambient Temperature Sensor	YES
External Electronic Expansion Valve	NO

18,000 BTUH MODEL

Model # 18,000 BTUH 230V

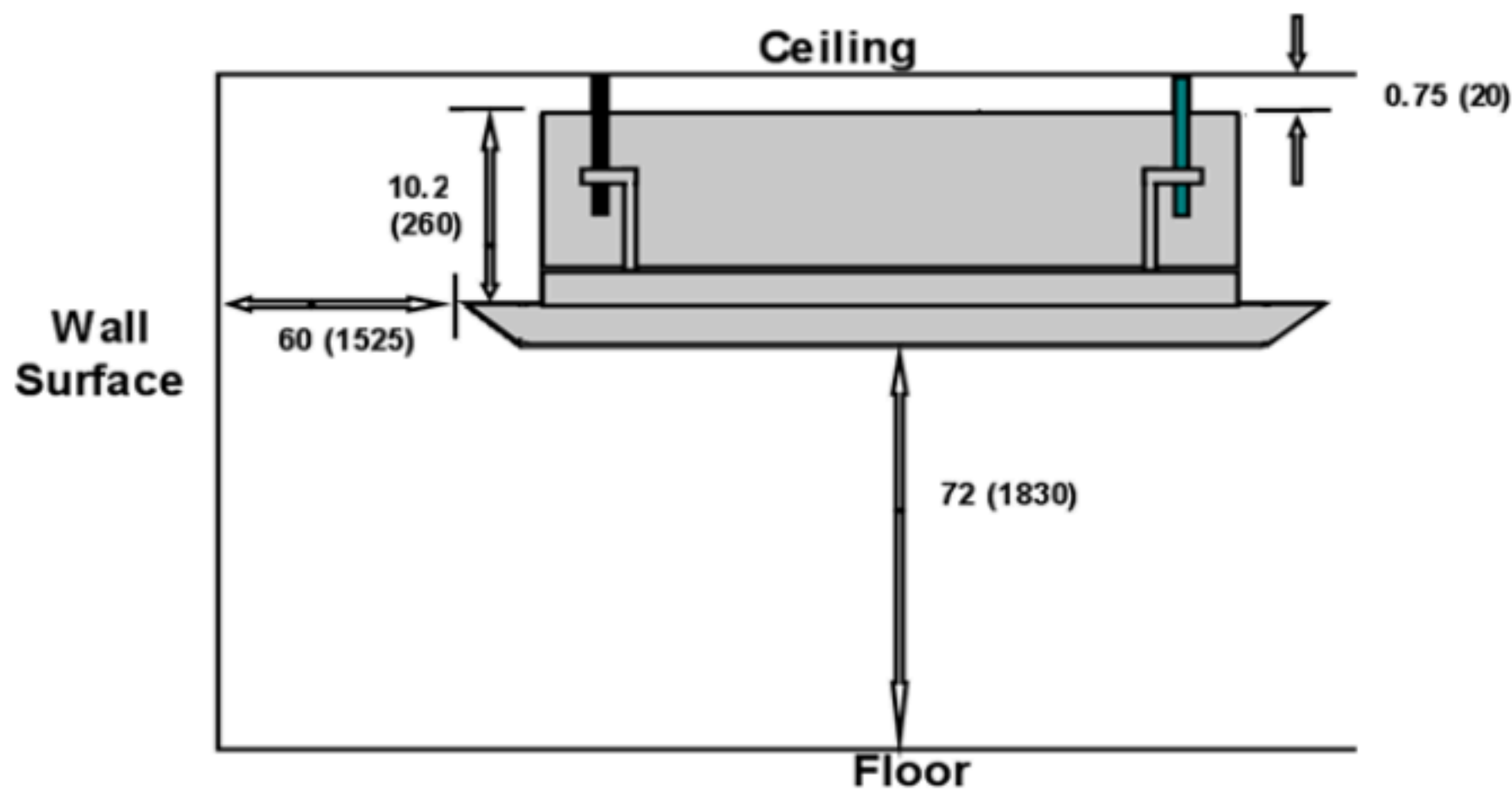
Units: inch (mm)



Note: Size refrigerant lines based on evaporator port sizes.

Weight (Net/Gross) 40/51 lbs

MINIMUM CLEARANCES



Notes:

1. Recommended Interconnecting Cable Type Stranded Bare Copper Conductors THHN 600V Unshielded Wire
2. Power wiring cable size must comply with applicable national and local codes.
3. Test conditions are based on AHRI 210/240.

Specifications are subject to change without notice. Manufacturer reserves the right to discontinue or modify specifications or designs without notice or without incurring obligations. All rights reserved.