



SUBMITTAL DATA

Duct Indoor Unit 18KBTU

Model: TM18R32SFDI

Job Name <input type="text"/>	Location <input type="text"/>	Date <input type="text"/>
Purchaser <input type="text"/>	Engineer <input type="text"/>	
Submitted to <input type="text"/>	For <input type="text"/>	
Unit Designation <input type="text"/>	Schedule No. <input type="text"/>	



GENERAL FEATURES:

- R32 Refrigerant
- Quiet Operation
- Multi-Speed Fan
- High Static Pressure Capability
- Slim Line Construction 8" high
- Internal Condensate Drain Pump
- Flexible Return Air from Bottom or Rear
- XK-19 Wired Controllers
- Wireless Remote Controllers
- Sentry Condensate Overflow Protection
- Limited 5 yr. Parts Warranty

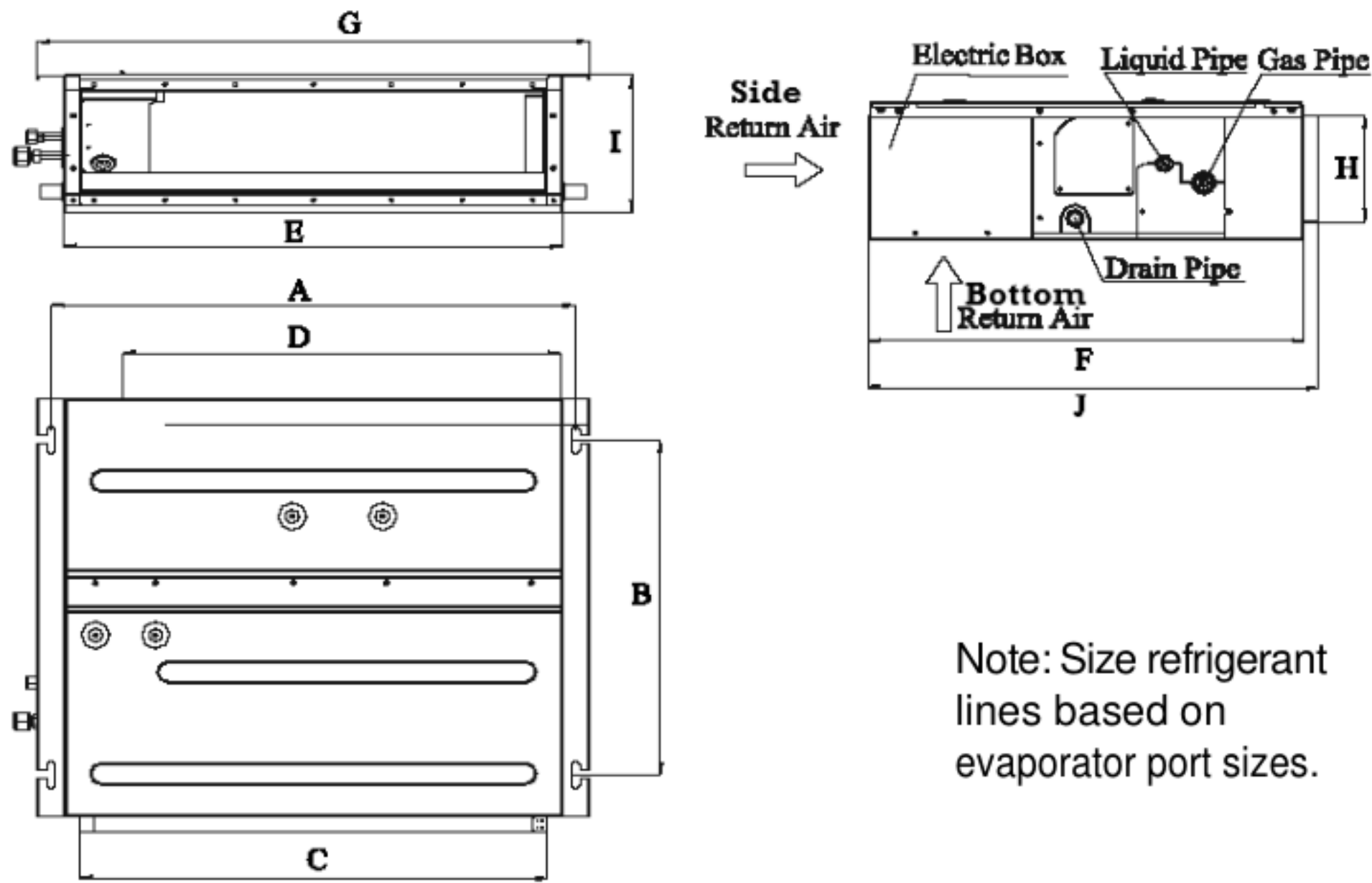


SPECIFICATIONS & FUNCTIONS:

Product Model	TM18R32SFDI		Functions	TM18R32SFDI
Product Type	--	Duct	Auto	YES
Power Supply	V/ph/Hz	208-230 /1/60	Cooling	YES
Min/Max. Voltage	V	187/253	Heating	YES
Cooling Capacity	Btu/h	18000	Dehumidify	YES
Heating Capacity	Btu/h	19000	Air Flow	YES
Air Flow Volume	CFM	589/412/312/288	Sleep	Normal sleep mode
Standard Static Pressure	Pa	90	Vertical Auto Swing	NO
Max. Static Pressure	Pa	200	Horizontal Auto Swing	NO
Sound Pressure Level	dB (A)	39/33/29/26	Auto Fan	YES
Sound Power Level	dB (A)	49/43/39/36	Quiet	NO
Rated Dehumidification Capacity	L/h	1.8	I Feel	YES
Dehumidifying Volume	Pint/h	3.8	Intelligent Preheating	YES
Cross-sectional Area of Power Cable Conductor	mm ²	0.82	Ventilation	YES
Cross-sectional Area of Power Cable Conductor	sq in	0.001271	Dry Anti-mildew Design	YES
Recommended Power Cable (Core)	N	4	Several Optional Filters (e.g.: Active Carbon)	Optional
Fuse Current	A	5	Auto Clean	NO
Cooling Power Input	kW	0.161	Replaceable Front Panel	NO
Heating Power Input	kW	0.161	Outdoor Air Available	YES
Cooling Current Input	A	0.7	High Static Pressure	YES
Heating Current Input	A	0.7	Common Static Pressure	Optional
Fan Type	-	Centrifugal	Low Static Pressure	NO
Fan Quantity	-	2	Timer Feature	YES
Fan Diameter-height	mm	202-107	Memory	YES
Motor Model	-	FG200A-ZL	Turbo	YES
Motor Insulation Class	-	E	Clock	YES
Motor Safe Class	-	IP23	Temperature	YES
Fan Motor Speed	r/min	990/700/530/490	Self-Diagnosis	YES
Fan Motor Power Output	W	200	Lock	YES
Fan motor running current	A	0.7	LCD (No Back Light)	NO
Evaporator Material	-	Copper tube-Aluminum fin	LCD (Back Light)	YES
Evaporator Face Area	m ²	0.23	LED	NO
Evaporator Face Area	sq. ft	2.47572	Intelligent Defrosting	NO
Evaporator Pipe Diameter	mm	φ7.94	Force Defrosting	YES
Evaporator Number of Rows	-	3	Energy Saving	YES
Evaporator Tube Pitch(a)×Row Pitch(b)	mm	22×19.05	8°C Heating Mode	YES
Evaporator Fin Pitch	mm	1.8	Turbo Cooling	YES
Evaporator Fins per Inch (FPI)	-	14	Low Ambient Cooling	YES
Evaporator Fin Type	-	fenestrate plain and hydrophilic film	Low Ambient Heating	YES
Evaporator Fin Color	-	Blue	Low Voltage Startup	YES
Evaporator Number of Circuits	-	7	Multi Speeds	Speed 4~5
Evaporator Length (L×H×W)	mm	753×308×57.2	With Access Control System	YES
Evaporator Max. Allowable Pressure	MPa	10	With Water Pump	YES
Air Filter	-	PP	Switchover Between High and Low Static Pressures	YES
Air Filter Size (L×W/NO.)	inch	26.06×9.96/2	Optional Ambient Temperature Sensor	YES
Standard Software and Controller	-	XK76	External Electronic Expansion Valve	YES
Optional Software and Controller	-	YT1FF		
Gas Pipe (to indoor unit)	inch	0.625		
Liquid pipe	inch	0.6		
Connection method	-	Flare Connection		
Drain Connection (outer diameter)	inch	φ0.98		
Dimension of Outline (W×D×H)	inch	44.49×29.68×11.81		
Dimension of Carton Box (L×W×H)	inch	47.32×31.89×13.58		
Dimension of Package (L×W×H)	inch	47.44×32.01×14.17		
Stacked Layers	-	Duct		
Net Weight	lb.	208/230		
Gross Weight	lb.	187/253		

18,000 BTUH MODEL

Model # 18,000 BTUH 230V



Note: Size refrigerant lines based on evaporator port sizes.

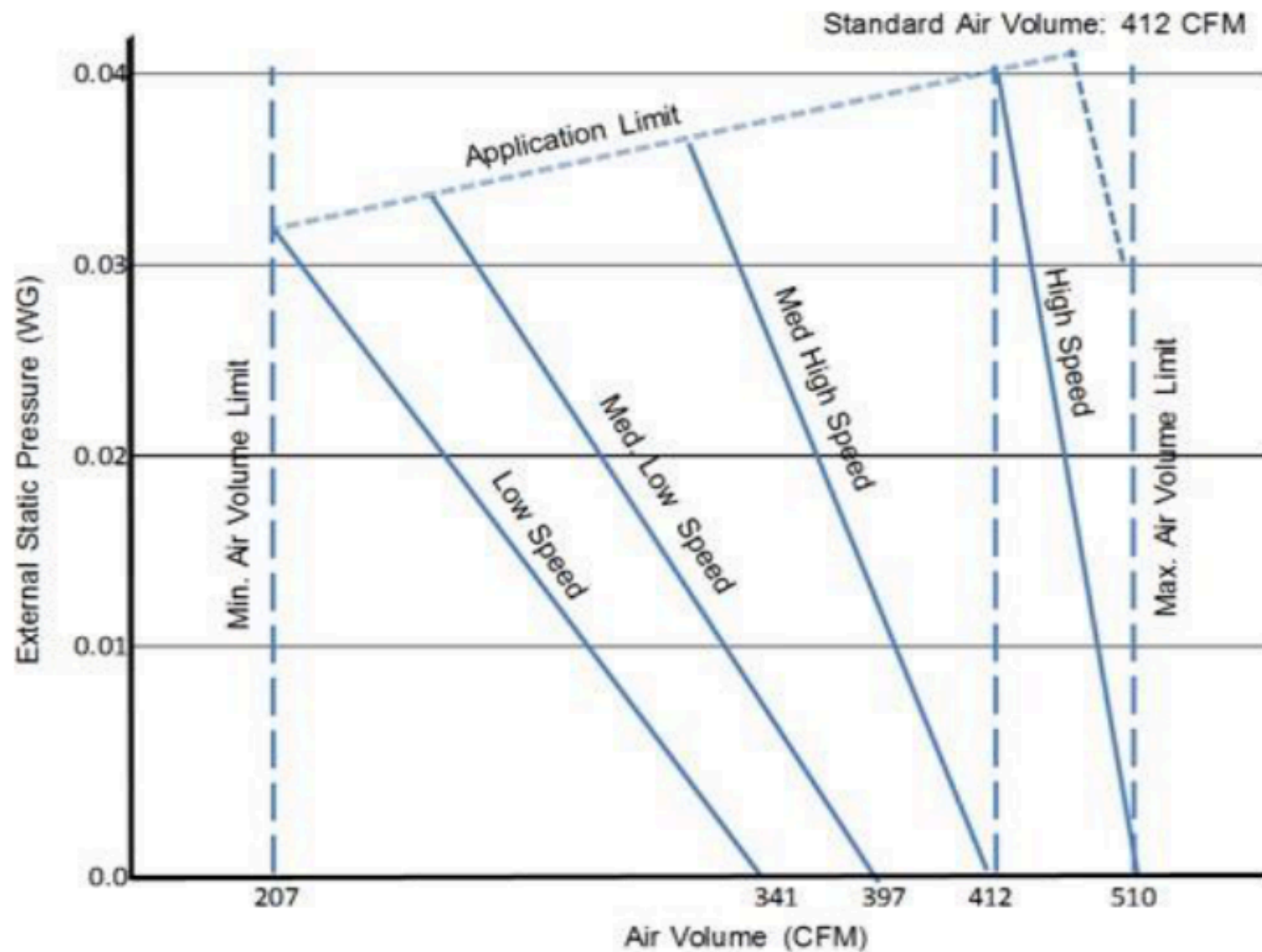
Dimensions

	A	B	C	D	E	F	G	H	I	J
(mm)	942	491	862	820	900	615	982	156	200	635
(inches)	37.1	19.3	33.9	32.3	35.4	24.2	38.7	6.1	7.9	25.0

Weight (Net/Gross) 60/79 lbs

INDOOR FAN PERFORMANCE DATA

WG = inches of water guage



Notes:

1. Recommended Interconnecting Cable Type Stranded Bare Copper Conductors THHN 600V Unshielded Wire
2. Power wiring cable size must comply with applicable national and local codes.
3. Test conditions are based on AHRI 210/240.

Specifications are subject to change without notice. Manufacturer reserves the right to discontinue or modify specifications or designs without notice or without incurring obligations. All rights reserved.