



## SUBMITTAL DATA



## Duct Indoor Unit 24KBTU

**Model: TM24R32SFDI**

Job Name

Location

Date

Purchaser

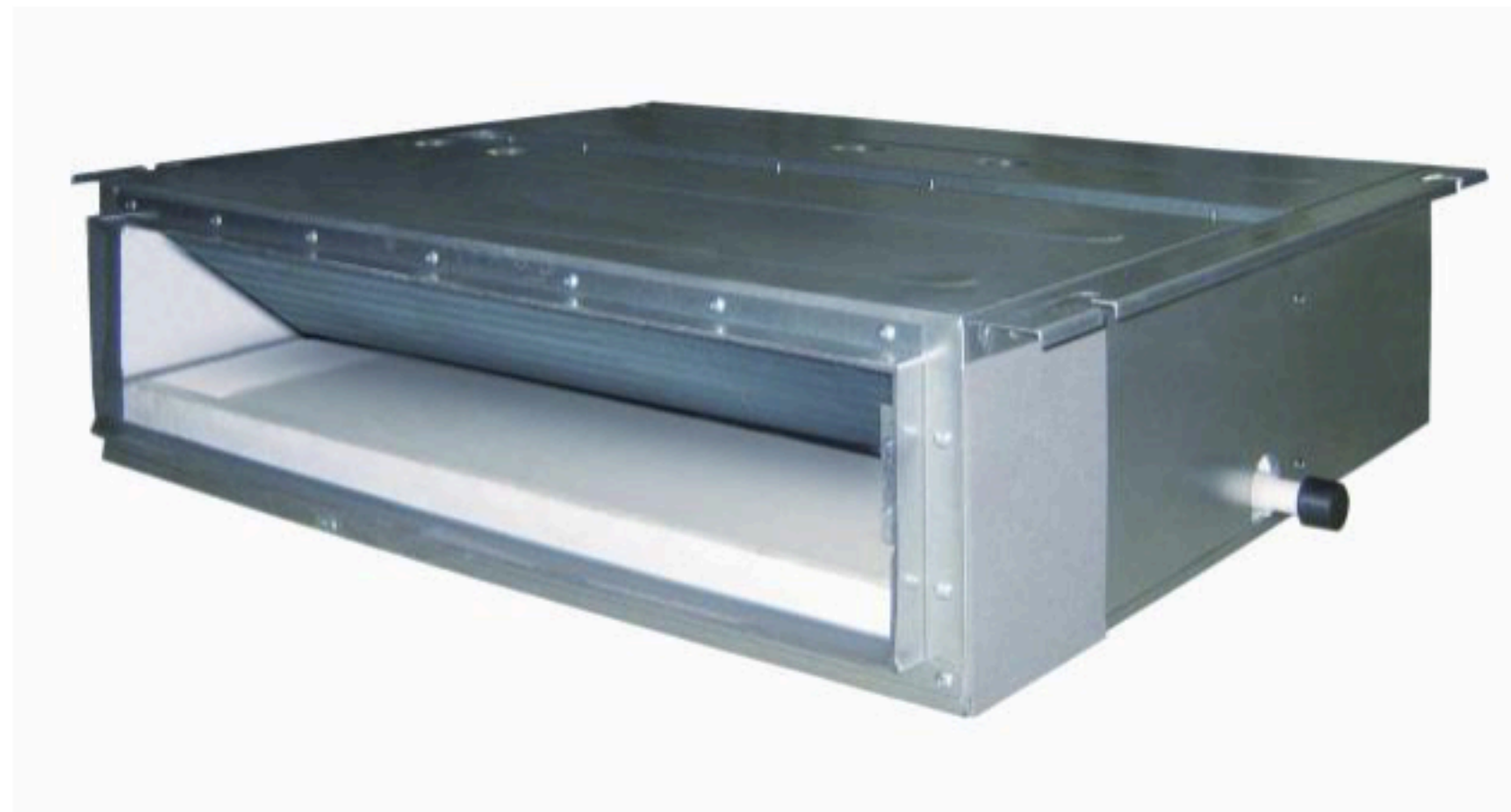
Engineer

Submitted to

For

Unit Designation

Schedule No.



### GENERAL FEATURES:

- R32 Refrigerant
- Quiet Operation
- Multi-Speed Fan
- High Static Pressure Capability
- Slim Line Construction 8" high
- Internal Condensate Drain Pump
- Flexible Return Air from Bottom or Rear
- XK-19 Wired Controllers
- Wireless Remote Controllers
- Sentry Condensate Overflow Protection
- Limited 5 yr. Parts Warranty



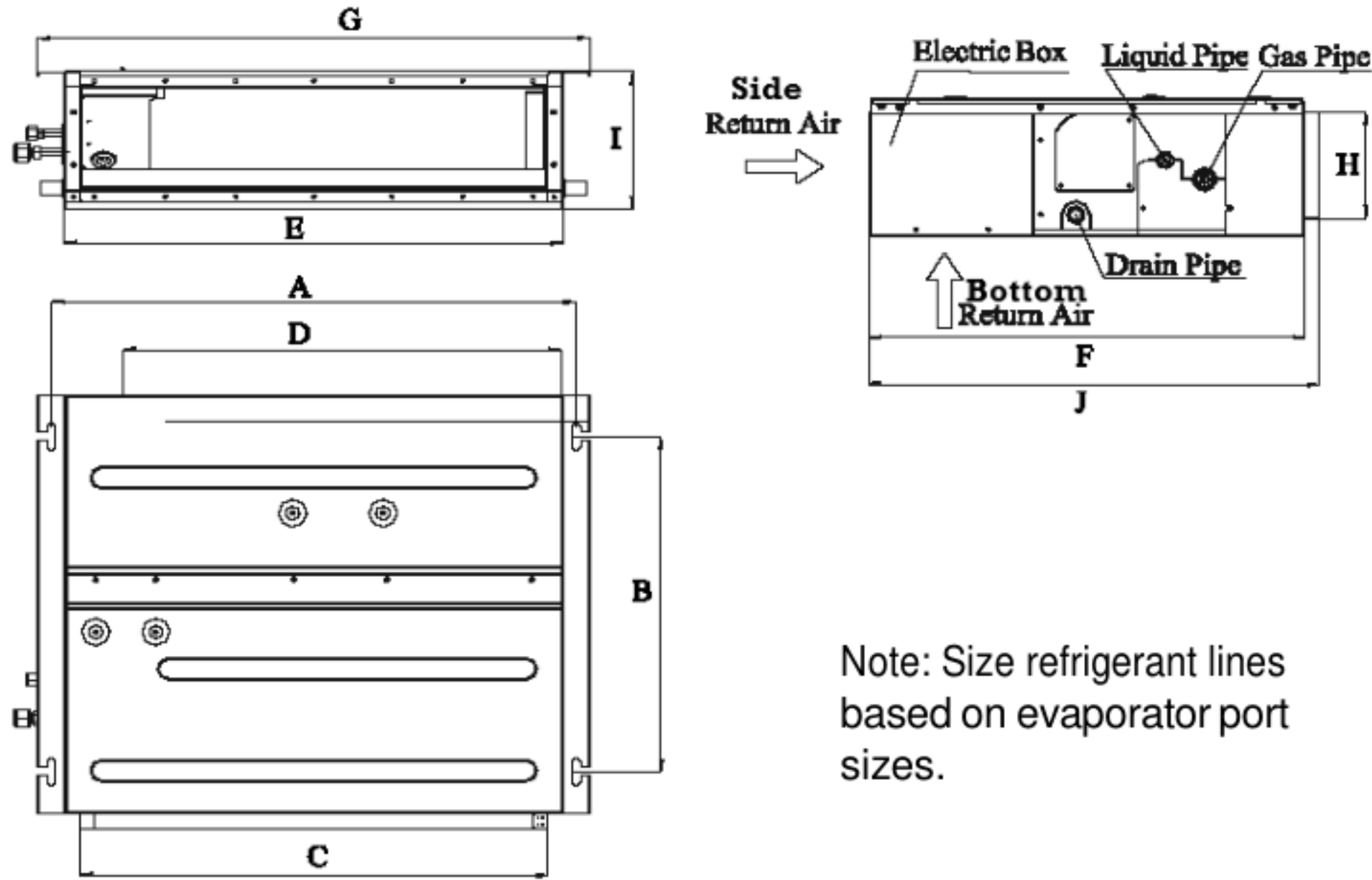
## SPECIFICATIONS & FUNCTIONS:

Product Model	TM24R32SFDI	
Product Type	--	Duct
Power Supply	V/Ph/Hz	208-230/1/60
Min/Max. Voltage	V	187/253
Cooling Capacity	Btu/h	22000
Heating Capacity	Btu/h	24000
Air Flow Volume	CFM	736/559/453/406
Standard Static Pressure	Pa	90
Max. Static Pressure	Pa	200
Sound Pressure Level	dB (A)	42/36/32/28
Sound Power Level	dB (A)	52/46/42/38
Rated Dehumidification Capacity	L/h	2.5
Dehumidifying Volume	Pint/h	5.3
Cross-sectional Area of Power Cable Conductor	mm <sup>2</sup>	0.82
Cross-sectional Area of Power Cable Conductor	sq in	0.001271
Recommended Power Cable (Core)	N	4
Fuse Current	A	5
Cooling Power Input	kW	0.207
Heating Power Input	kW	0.207
Cooling Current Input	A	0.9
Heating Current Input	A	0.9
Fan Type	-	Centrifugal
Fan Quantity	-	2
Fan Diameter-height	mm	202-107
Motor Model	-	FG200A-ZL
Motor Insulation Class	-	E
Motor Safe Class	-	IP23
Fan Motor Speed	r/min	1050/800/650/580
Fan Motor Power Output	W	200
Fan motor running current	A	0.7
Evaporator Material	-	Copper tube-Aluminum fin
Evaporator Face Area	m <sup>2</sup>	0.23
Evaporator Face Area	sq. ft	2.47572
Evaporator Pipe Diameter	mm	φ7.94
Evaporator Number of Rows	-	3
Evaporator Tube Pitch(a)×Row Pitch(b)	mm	22×19.05
Evaporator Fin Pitch	mm	1.8
Evaporator Fins per Inch (FPI)	-	14
Evaporator Fin Type	-	fenestrate plain and hydrophilic film
Evaporator Fin Color	-	Blue
Evaporator Number of Circuits	-	7
Evaporator Length (L×H×W)	mm	753×308×57.2
Evaporator Max. Allowable Pressure	MPa	10
Air Filter	-	PP
Air Filter Size (L×W/NO.)	inch	26.06×9.96/2
Standard Software and Controller	-	XK76
Optional Software and Controller	-	YT1FF
Gas Pipe (to indoor unit)	inch	0.625
Liquid pipe	inch	0.6
Connection method	-	Flare Connection
Drain Connection (outer diameter)	inch	φ0.98
Dimension of Outline (W×D×H)	inch	44.49×29.68×11.81
Dimension of Carton Box (L×W×H)	inch	47.32×31.89×13.58
Dimension of Package (L×W×H)	inch	47.44×32.01×14.17
Stacked Layers	-	8
Net Weight	lb.	92.61
Gross Weight	lb.	107

Functions	TM24R32SFDI
Auto	YES
Cooling	YES
Heating	YES
Dehumidify	YES
Air Flow	YES
Sleep	Normal sleep mode
Vertical Auto Swing	NO
Horizontal Auto Swing	NO
Auto Fan	YES
Quiet	NO
I Feel	YES
Intelligent Preheating	YES
Ventilation	YES
Dry Anti-mildew Design	YES
Several Optional Filters (e.g.: Active Carbon)	Optional
Auto Clean	NO
Replaceable Front Panel	NO
Outdoor Air Available	YES
High Static Pressure	YES
Common Static Pressure	Optional
Low Static Pressure	NO
Timer Feature	YES
Memory	YES
Turbo	YES
Clock	YES
Temperature	YES
Self-Diagnosis	YES
Lock	YES
LCD (No Back Light)	NO
LCD (Back Light)	YES
LED	NO
Intelligent Defrosting	NO
Force Defrosting	YES
Energy Saving	YES
8°C Heating Mode	YES
Turbo Cooling	YES
Low Ambient Cooling	YES
Low Ambient Heating	YES
Low Voltage Startup	YES
Multi Speeds	Speed 4~5
With Access Control System	YES
With Water Pump	YES
Switchover Between High and Low Static Pressures	YES
Optional Ambient Temperature Sensor	YES
External Electronic Expansion Valve	YES

**24,000 BTUH MODEL**

Model # 24,000 BTUH 230V



Note: Size refrigerant lines based on evaporator port sizes.

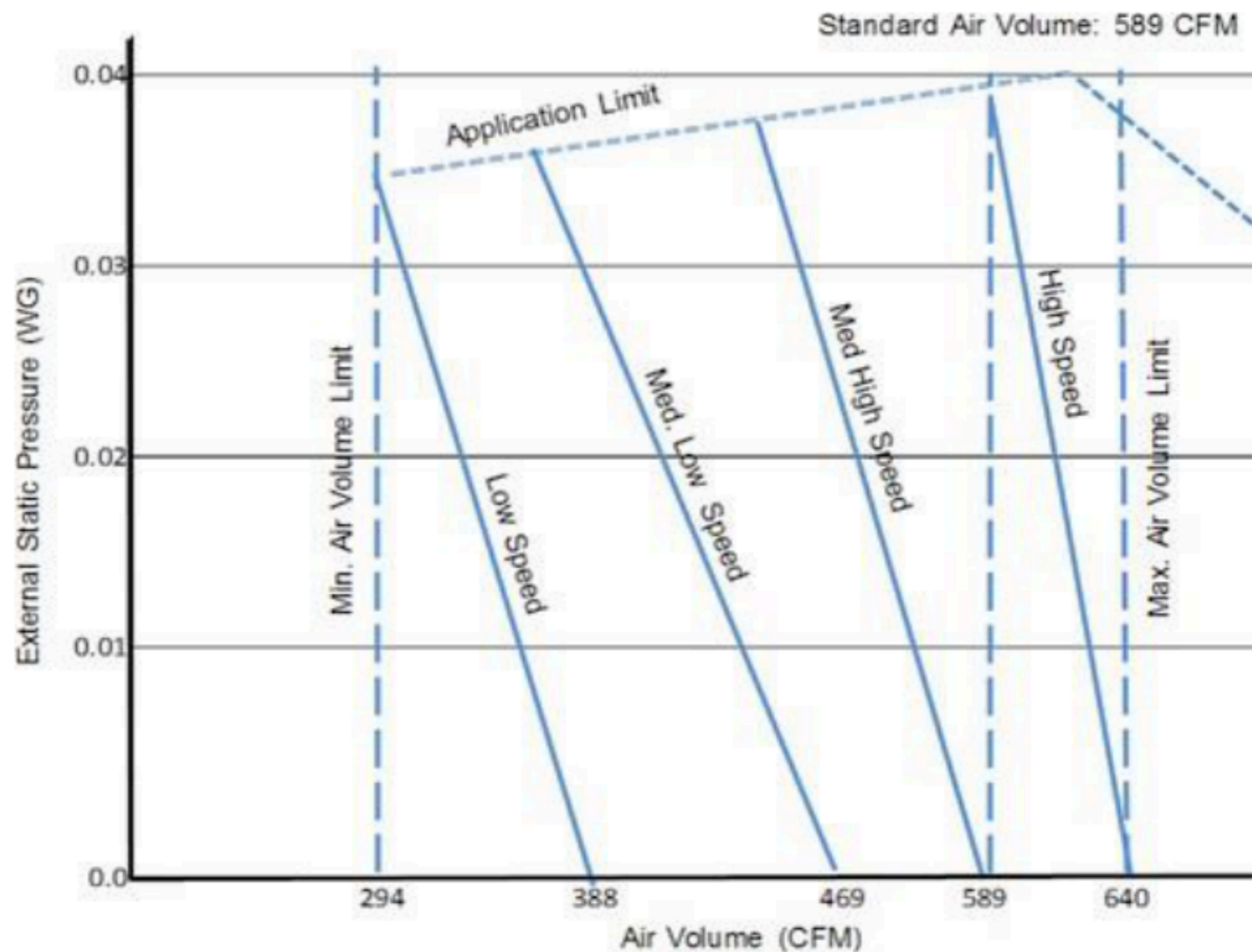
Dimensions

	A	B	C	D	E	F	G	H	I	J
(mm)	1124	491	1062	1020	1100	615	1182	156	200	635
(inches)	44.3	19.3	41.8	40.2	43.3	24.2	46.5	6.1	7.9	25.0

Weight (Net/Gross) 68/90 lbs.

**INDOOR FAN PERFORMANCE DATA**

WG = inches of water guage



Notes:

1. Recommended Interconnecting Cable Type Stranded Bare Copper Conductors THHN 600V Unshielded Wire
2. Power wiring cable size must comply with applicable national and local codes.
3. Test conditions are based on AHRI 210/240.

Specifications are subject to change without notice. Manufacturer reserves the right to discontinue or modify specifications or designs without notice or without incurring obligations. All rights reserved.