



SUBMITTAL DATA



Single Zone 19 Seer 9KBTU 230V

Model: TWH09R32DSI / TWH09R32DO

Job Name <input type="text"/>	Location <input type="text"/>	Date <input type="text"/>
Purchaser <input type="text"/>	Engineer <input type="text"/>	
Submitted to <input type="text"/>	For <input type="text"/>	
Unit Designation <input type="text"/>	Schedule No. <input type="text"/>	



GENERAL FEATURES:

- R32 Refrigerant
- High Efficiency DC Inverter Technology
- Compact and Quiet Design
- Wireless Remote with LCD Display
- Wired Controller Options
- Wi-Fi Included
- Low Ambient Cooling down to 0°F (Range 0°F to 115°F)
- Low Ambient Heating down to -13°F (Range -13°F to 75°F)
- Coil (Indoor and Outdoor) Copper Tube / Aluminum Fin
- Blue Colored Fin - 500 Hrs Salt Spray Tested



SPECIFICATIONS & FUNCTIONS:

Model	TWH09R32D	
Power Supply	VAC / Phase / Hertz	208-230/1/60
Power Supply Mode	-	Outdoor
Cooling Capacity	Btu/h	9100
Heating Capacity	Btu/h	10000
Cooling Power Input	W	729
Heating Power Input	W	771
Rated Input	W	1300
Rated Current	A	7
EER	(Btu/h)/W	12.5
COP	(Btu/h)/W	13
SEER	SEER2	20.5
HSPF	HSPF2	8.8
Air Flow Volume(H-L)	CFM	600/353/282/265/230/212/194/159
Dehumidifying Volume	Pint/h	1.69
Application Area	sq ft	130-194
Controller Model	Remote	YBE1FB1F

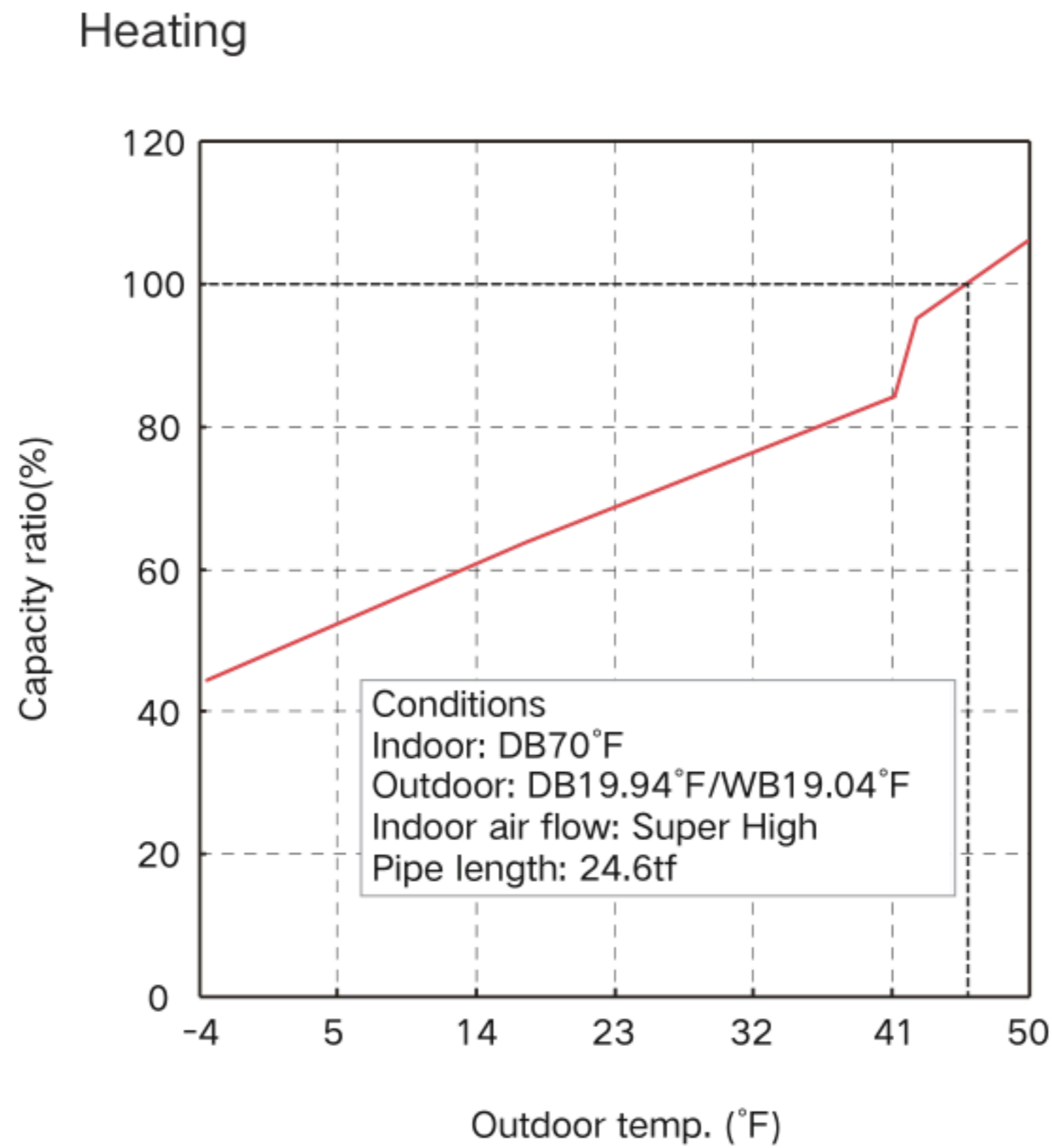
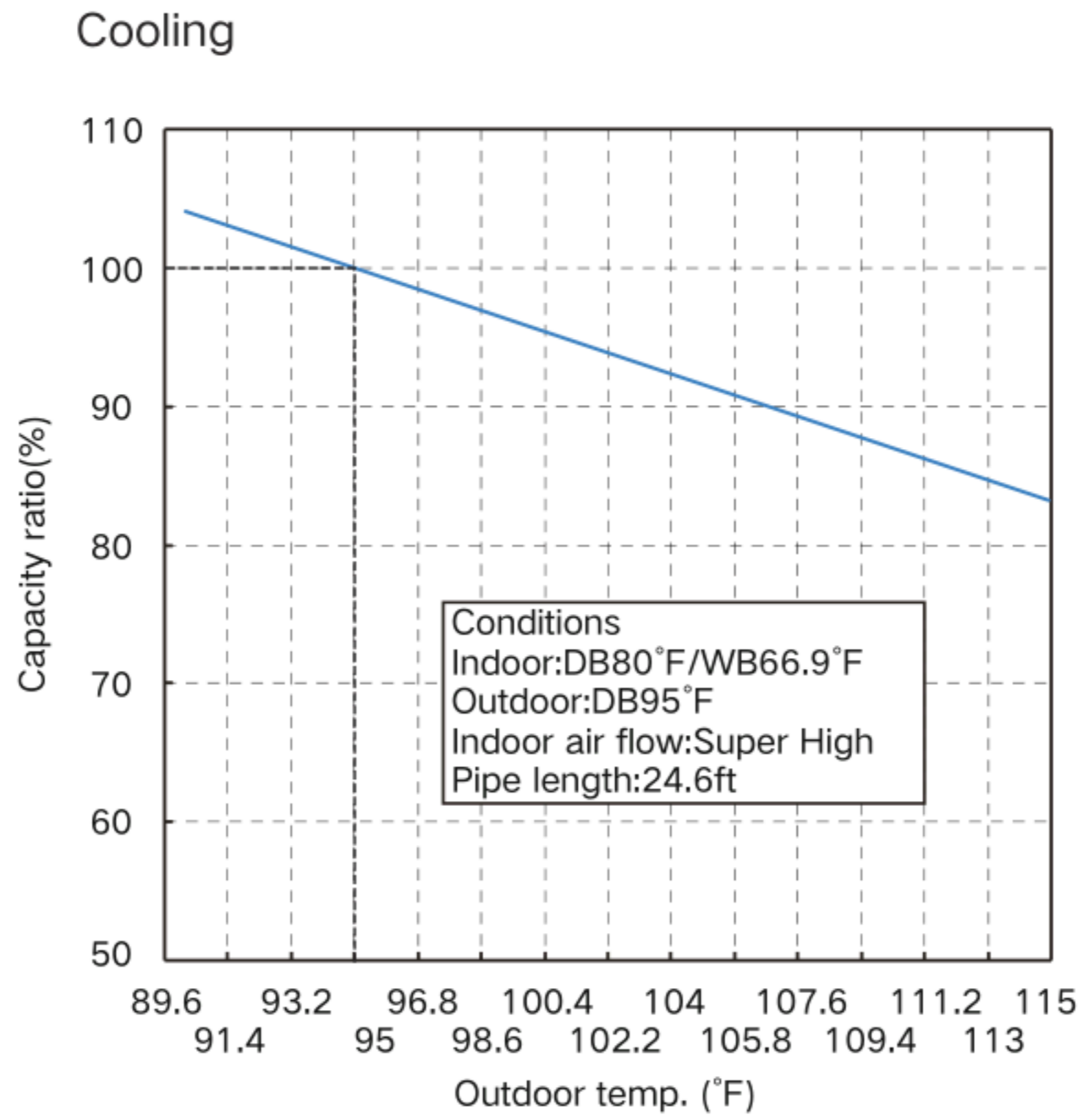
Indoor Unit Model	TWH09R32DSI	
Fan Type	-	Cross-flow
Fan Diameter Length (D×L)	mm	Φ94×630
Cooling Speed	r/min	1350/1150/1100/1000/950/850/750
Heating Speed	r/min	1300/1100/1050/1000/950/850/800
Fan Motor Power Output	W	20
Fan Motor RLA	A	0.4
Motor ratings	hp	0.03
Evaporator Form	-	Aluminum Fin-copper Tube
Evaporator Pipe Diameter	mm	Φ5
Evaporator Row-fin Gap	mm	2-1.3
Evaporator Coil Length (L×D×W)	mm	634×22.8×266.7
Swing Motor Model	-	MP24HF
Swing Motor Power Output	W	1.5
Fuse Current	A	3.15
Set Temperature Range	°F	61 ~ 86
Sound Pressure Level Cooling mode	dB (A)	41/37/34/32/31/27/24
Sound Power Level Cooling mode	dB (A)	51/47/44/42/41/37/34
Sound Pressure Level Heating mode	dB (A)	41/36/34/32/31/28/26
Sound Power Level Heating mode	dB (A)	51/46/44/42/41/38/36
Dimension (W x H x D)	inch	32 56/64x10 53/64x7 56/64
Net Weight	lb	19.8
Gross Weight	lb	24.3

Outdoor Unit Model	TWH09R32DO	
Compressor Manufacturer	-	LANDA
Compressor Model	-	QXF-N082zC170
Compressor Oil	-	RB68GX or equivalent
Compressor Type	-	Rotary
Compressor RLA	A	6.5
Compressor Power Input	W	630
Outdoor Unit Fan Type	-	Axial-flow
Outdoor Unit Fan Diameter	mm	400
Fan Motor Speed	rpm	850
Fan Motor Power Output	W	30
Motor ratings	hp	0.04
Fan Motor RLA	A	0.65
Air Flow Volume	CFM	1148
Condenser Form	-	Aluminum Fin-copper Tube
Condenser Pipe Diameter	mm	Φ7
Condenser Rows-fin Gap	mm	1-1.2
Condenser Coil Length (L×D×W)	mm	666×19.05×527
Permissible Excessive Operating Pressure for the Discharge Side	P.S.I.G.	624
Permissible Excessive Operating Pressure for the Suction Side	P.S.I.G.	363
Maximum Allowable Pressure	P.S.I.G.	856
Cooling Operation Ambient Temperature Range	°F	0~118
Heating Operation Ambient Temperature Range	°F	-13~75
Metering Device	-	Capillary
Defrosting Method	-	Automatic Defrosting
Sound Pressure Level (H)	dB (A)	51
Sound Power Level (H)	dB (A)	61
Dimension (WxHxD)	inch	28 52/64x21 54/64x12 63/64
Outdoor Unit Net Weight	lb	52.9
Outdoor Unit Gross Weight	lb	58.4
Refrigerant	--	R32
Factory Refrigerant Charge	oz	18.7
Connection Pipe Length	ft	24.6
Connection Pipe Gas Additional Charge	oz/ft.	0.2
Outer Diameter of Liquid Pipe	inch	1/4"
Outer Diameter of Gas Pipe	inch	3/8"
Max Distance Height	ft	39.4
Max Distance Length	ft	65.6

Functions				
Auto Cooling	Turbo Temperature	Auto Fan Quiet	Intelligent Defrosting Force Defrosting	Vertical Auto Swing Horizontal Auto Swing
Heating	Soft Start	I Feel	Energy Saving	LCD (Back Light)
Dehumidify	Self-Diagnosis	Intelligent Preheating	8°C Heating Mode	LED
Air Flow	Lock	Dry Anti-mildew Design	Turbo Cooling	Auto Clean
Three Kinds of Sleep Mode	WIFI	Several Optional Filters	Low Ambient Cooling	Timer Feature
Chassis Electric Heater Function	Multi Speeds	Memory	Low Ambient Heating	Low Voltage Startup

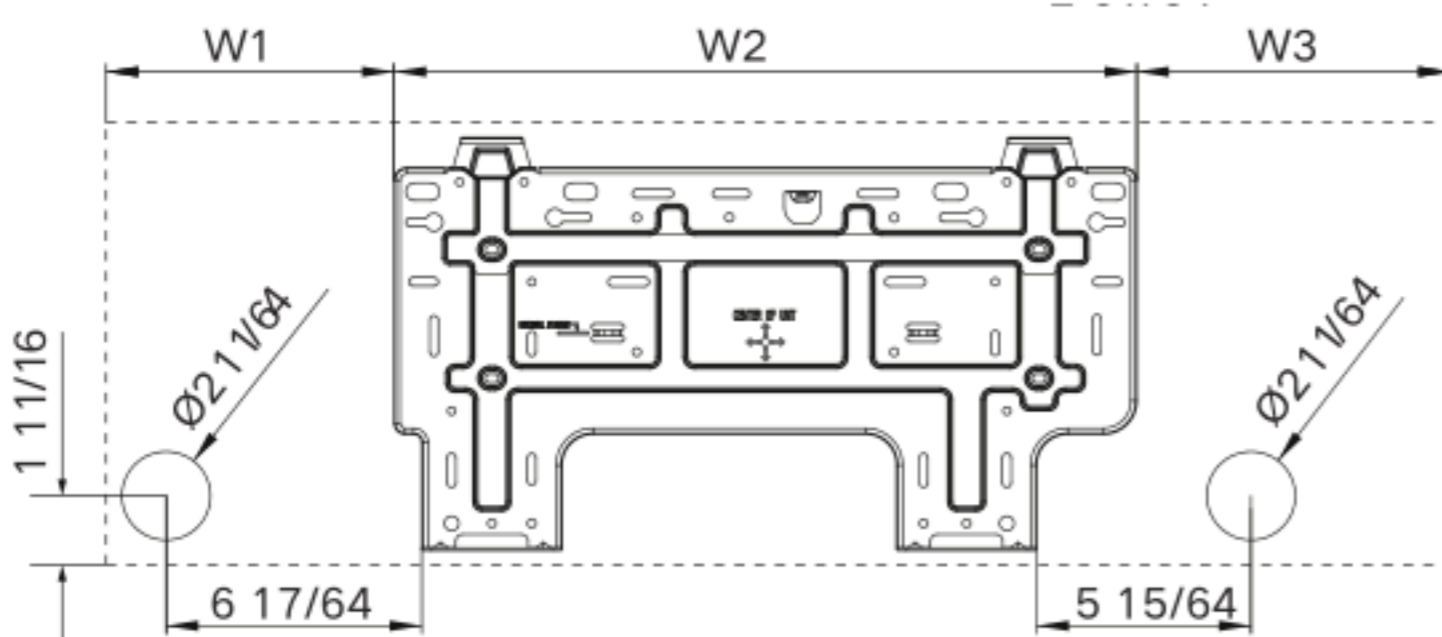
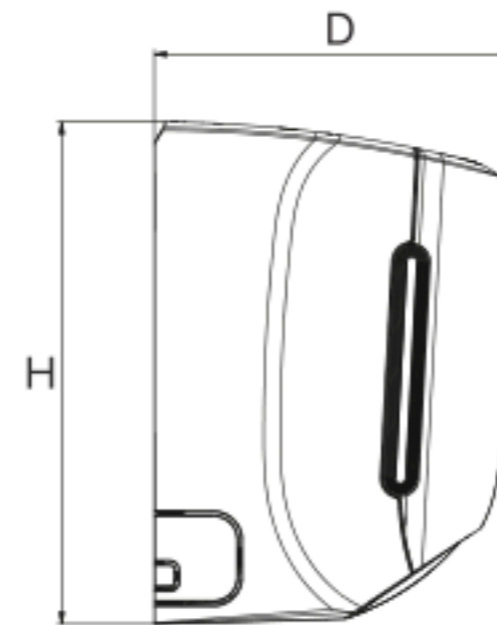
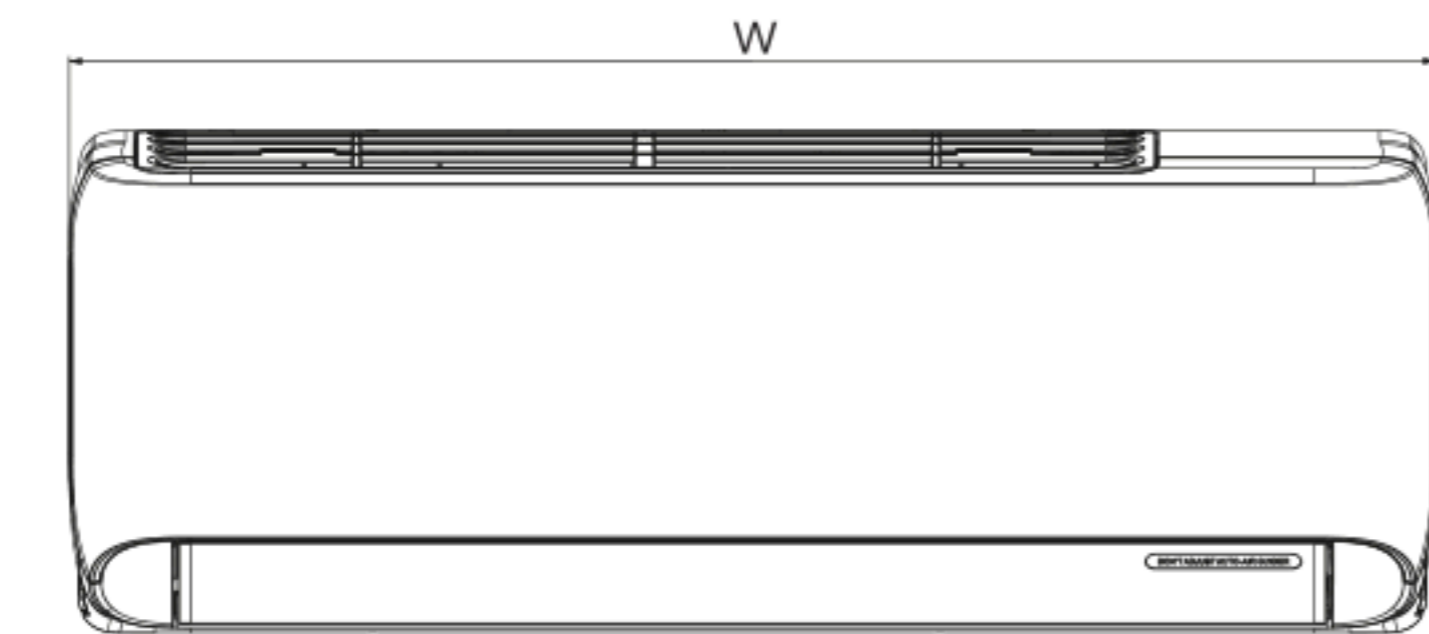


Capacity Variation Ratio According to Temperature



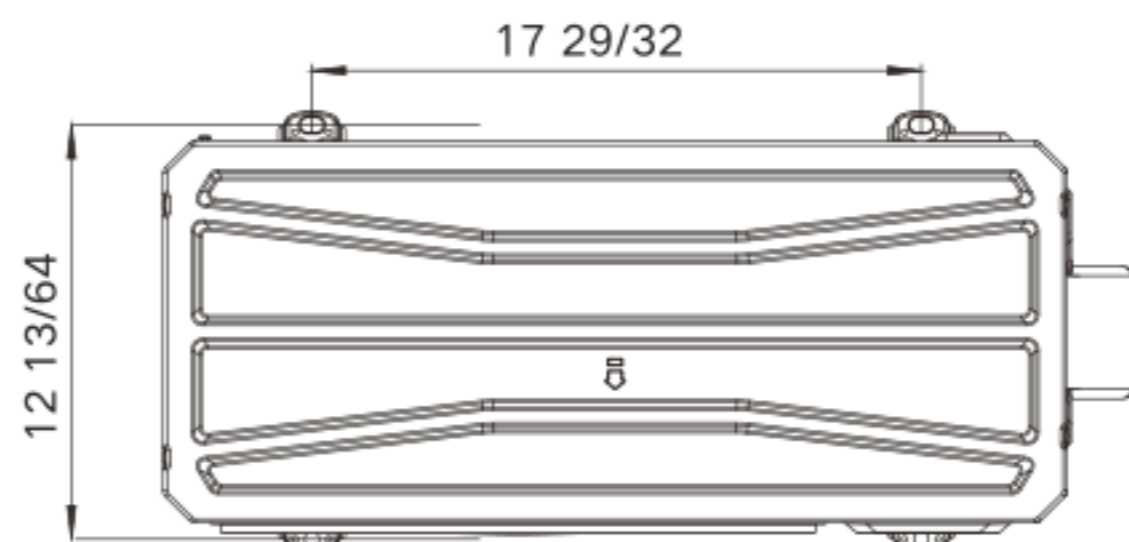
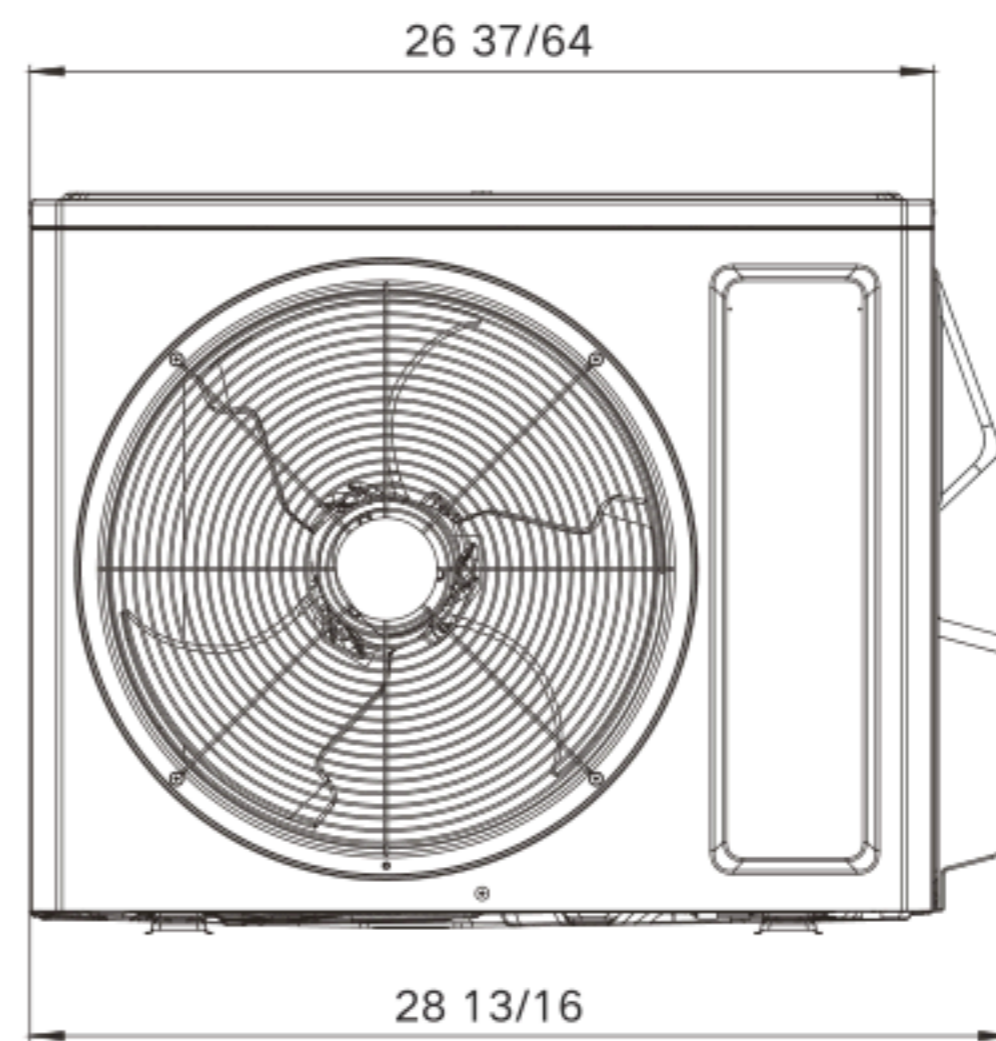
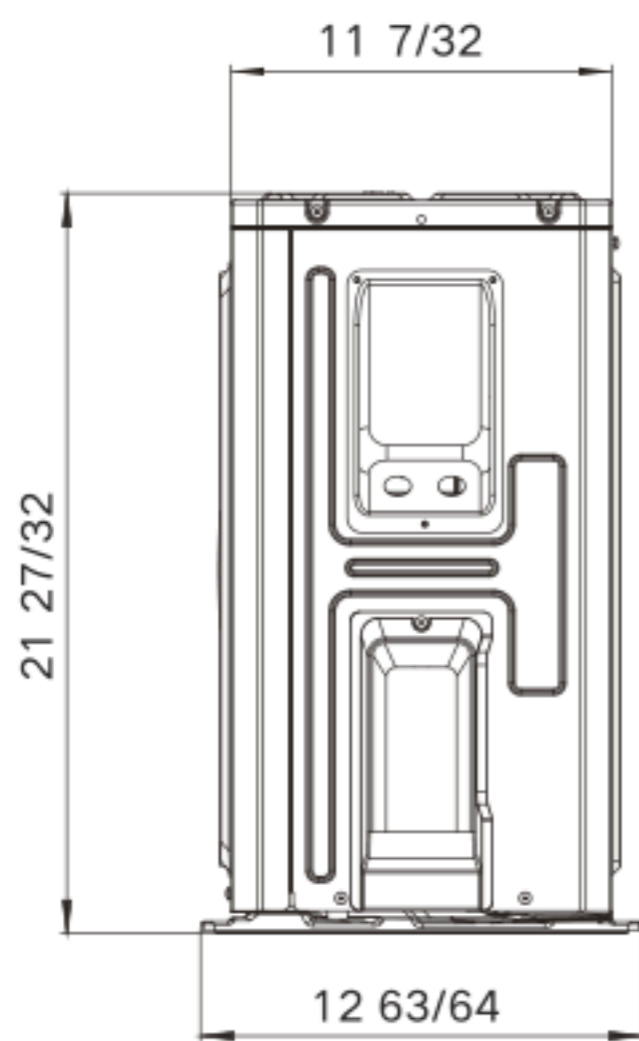


Outline Dimension Diagram



Unit: inch

Model	W	H	D
ATC	$32 \frac{7}{8}$	$10 \frac{53}{64}$	$7 \frac{7}{8}$
	$W1$	$W2$	$W3$
	$7 \frac{3}{64}$	$18 \frac{5}{32}$	$7 \frac{11}{16}$



Unit: inch



Installation Dimension Diagram

