



SUBMITTAL DATA

Single Zone 19 Seer 12KBTU 230V

Model: TWH12R32DSI / TWH12R32DO

Job Name <input type="text"/>	Location <input type="text"/>	Date <input type="text"/>
Purchaser <input type="text"/>	Engineer <input type="text"/>	
Submitted to <input type="text"/>	For <input type="text"/>	
Unit Designation <input type="text"/>	Schedule No. <input type="text"/>	



GENERAL FEATURES:

- R32 Refrigerant
- High Efficiency DC Inverter Technology
- Compact and Quiet Design
- Wireless Remote with LCD Display
- Wired Controller Options
- Wi-Fi Included
- Low Ambient Cooling down to 0°F (Range 0°F to 115°F)
- Low Ambient Heating down to -13°F (Range -13°F to 75°F)
- Coil (Indoor and Outdoor) Copper Tube / Aluminum Fin
- Blue Colored Fin - 500 Hrs Salt Spray Tested



SPECIFICATIONS & FUNCTIONS:

Model	TWH12R32D	
Power Supply (VAC / Phase / Hertz)	208-230/1/60	
Power Supply Mode	Outdoor	
Cooling Capacity	Btu/h	12000
Heating Capacity	Btu/h	12000
Cooling Power Input	W	1231
Heating Power Input	W	1004
Rated Input	W	1650
Rated Current	A	7.47
EER (Btu/h)/W	9.75	
COP (Btu/h)/W	11.95	
SEER	SEER2	19
HSPF	HSPF2	8.5
Air Flow Volume(H-L)	CFM	720/424/353/324/277/247/224/182
Dehumidifying Volume	Pint/h	2.96
Application Area	sq ft	172-258
Controller Model	Remote	YBE1FB1F

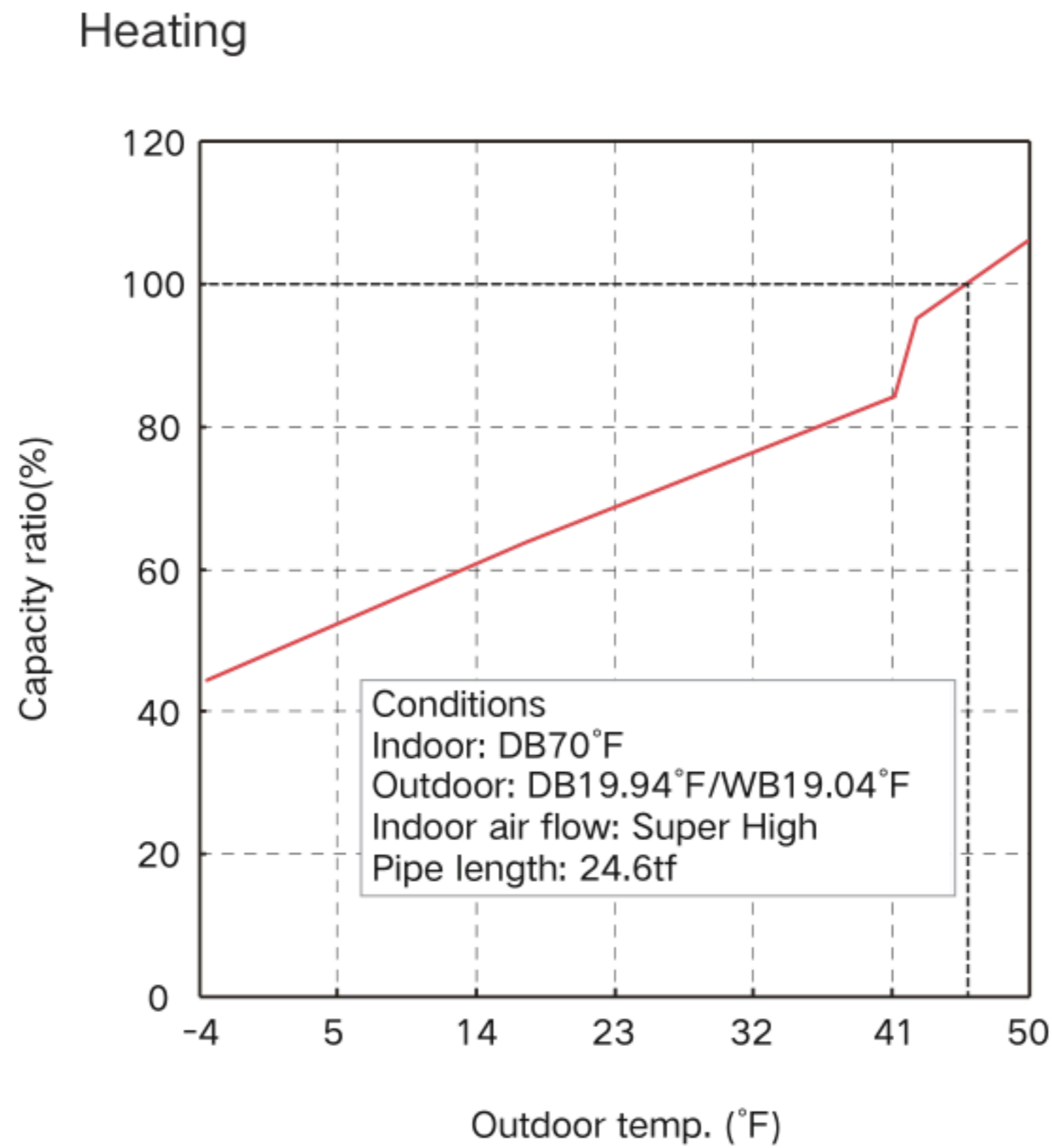
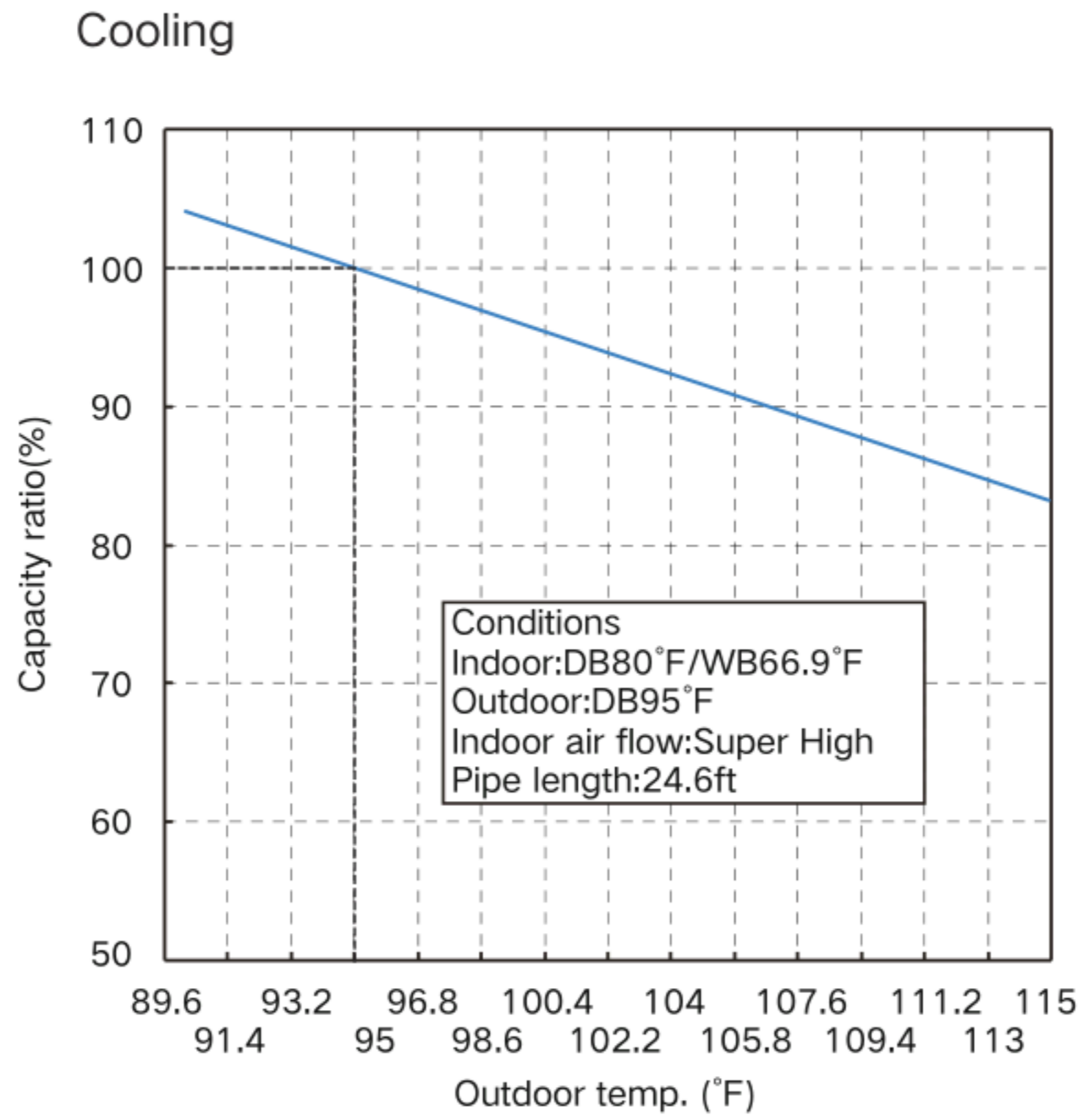
Indoor Unit Model	TWH12R32DSI	
Fan Type	-	Cross-flow
Fan Diameter Length (D×L)	mm	Φ94×630
Cooling Speed	r/min	1550/1200/1120/1050 /980/920/750/500
Heating Speed	r/min	1450/1200/1140/ 1080/1020/960/900
Fan Motor Power Output	W	55
Fan Motor RLA	A	0.7
Motor ratings	hp	0.07
Evaporator Form	-	Aluminum Fin-copper Tube
Evaporator Pipe Diameter	mm	φ5
Evaporator Row-fin Gap	mm	2-1.3
Evaporator Coil Length (L×D×W)	mm	634×22.8×266.7
Swing Motor Model	-	MP24HF
Swing Motor Power Output	W	1.5/1.5
Fuse Current	A	3.15
Set Temperature Range	°F	61 ~ 86
Sound Pressure Level Cooling mode	dB (A)	47/39/38/35/33/32/27/22
Sound Power Level Cooling mode	dB (A)	57/49/48/45/43/42/37/32
Sound Pressure Level Heating mode	dB (A)	44/39/37/36/34/32/30
Sound Power Level Heating mode	dB (A)	54/49/47/46/44/42/40
Dimension (W x H x D)	inch	32 7/8x10 53/64x7 7/8
Net Weight	lb	19.8
Gross Weight	lb	24.3

Outdoor Unit Model	TWH12R32DO	
Compressor Manufacturer	-	LANDA
Compressor Model	-	FTz-AN108ACBD
Compressor Oil	-	FW68DA or equivalent
Compressor Type	-	Rotary
Compressor RLA	A	8
Compressor Power Input	W	857
Outdoor Unit Fan Type	-	Axial-flow
Outdoor Unit Fan Diameter	mm	400
Fan Motor Speed	rpm	900
Fan Motor Power Output	W	30
Motor ratings	hp	0.04
Fan Motor RLA	A	0.8
Air Flow Volume	CFM	1148
Condenser Form	-	Aluminum Fin-copper Tube
Condenser Pipe Diameter	mm	φ7
Condenser Rows-fin Gap	mm	1-1.2
Condenser Coil Length (L×D×W)	mm	677×19.05×528
Permissible Excessive Operating Pressure for the Discharge Side	P.S.I.G.	624
Permissible Excessive Operating Pressure for the Suction Side	P.S.I.G.	363
Maximum Allowable Pressure	P.S.I.G.	710
Cooling Operation Ambient Temperature Range	°F	0 ~ 118
Heating Operation Ambient Temperature Range	°F	-13~75
Metering Device	-	Capillary
Defrosting Method	-	Automatic Defrosting
Sound Pressure Level (H)	dB (A)	52
Sound Power Level (H)	dB (A)	62
Dimension (WxHxD)	inch	28 13/16x21 27/32x12 63/64
Outdoor Unit Net Weight	lb	56.2
Outdoor Unit Gross Weight	lb	61.7
Refrigerant	--	R32
Factory Refrigerant Charge	oz	17.6
Connection Pipe Length	ft	24.6
Connection Pipe Gas Additional Charge	oz/ft.	0.2
Outer Diameter of Liquid Pipe	inch	1/4"
Outer Diameter of Gas Pipe	inch	3/8"
Max Distance Height	ft	40
Max Distance Length	ft	65.6

Functions				
Auto Cooling	Turbo Temperature	Auto Fan Quiet	Intelligent Defrosting Force Defrosting	Memory Chassis Electric Heater Function
Heating	Soft Start	I Feel	Energy Saving	Clock
Dehumidify	Self-Diagnosis	Intelligent Preheating	8°C Heating Mode	Standby
Air Flow	Lock	Dry Anti-mildew Design	Turbo Cooling	Multi Speeds
Three Kinds of Sleep Mode	WIFI	Several Optional Filters	Low Ambient Cooling	Low Voltage Startup
Vertical Auto Swing	LCD (No Back Light)	Auto Clean	Low Ambient Heating	
Horizontal Auto Swing	LED	Timer Feature	Compressor Electric Heater Function	

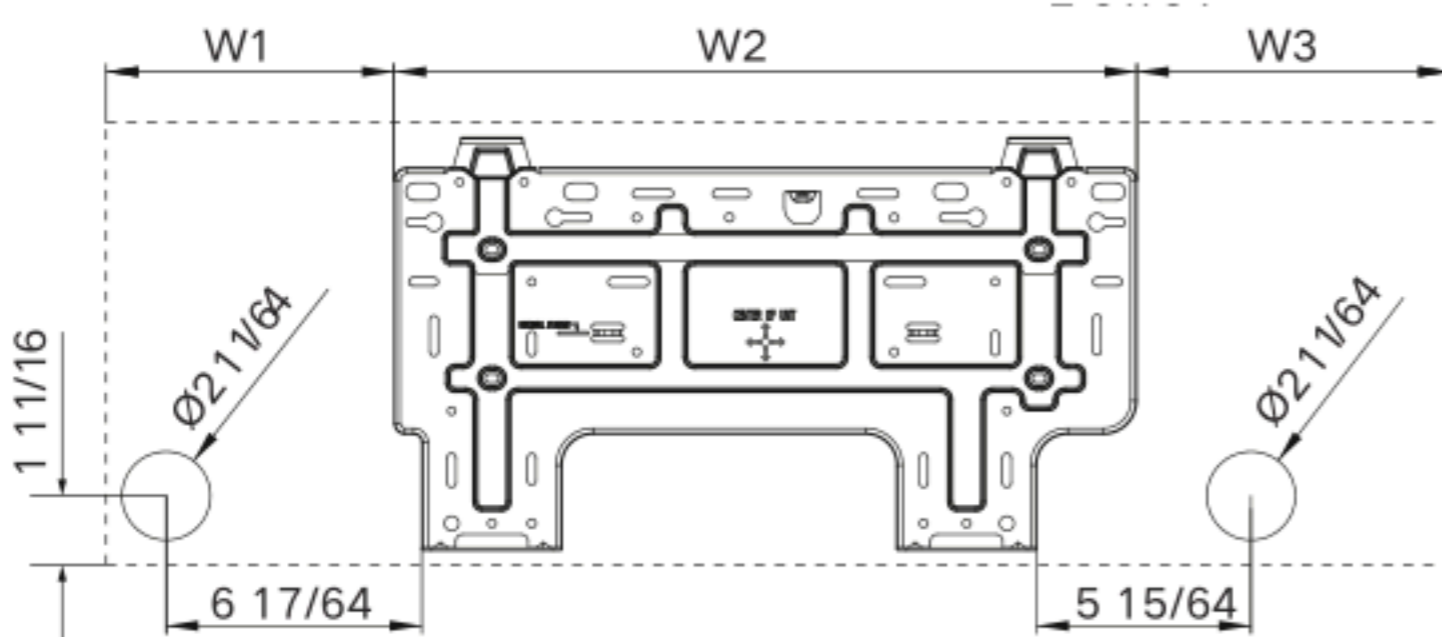
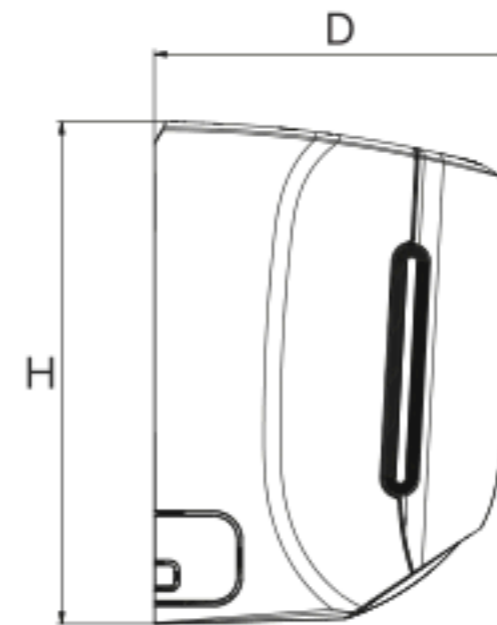
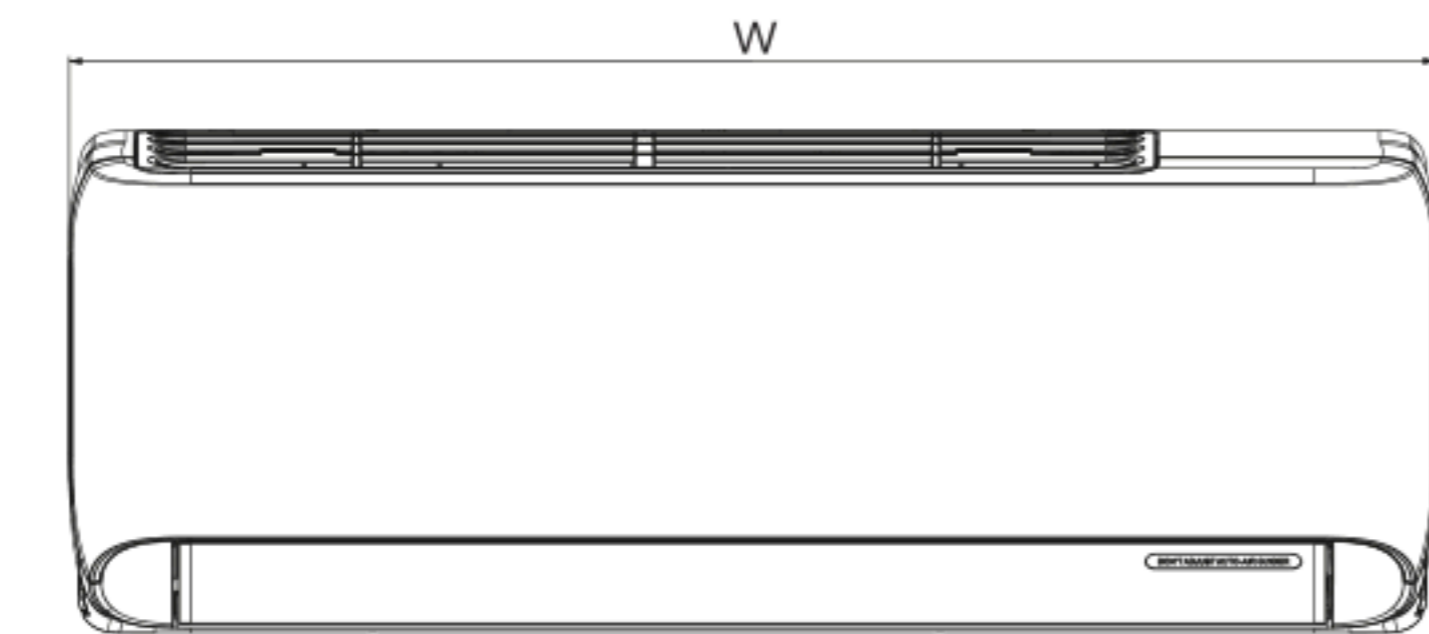


Capacity Variation Ratio According to Temperature



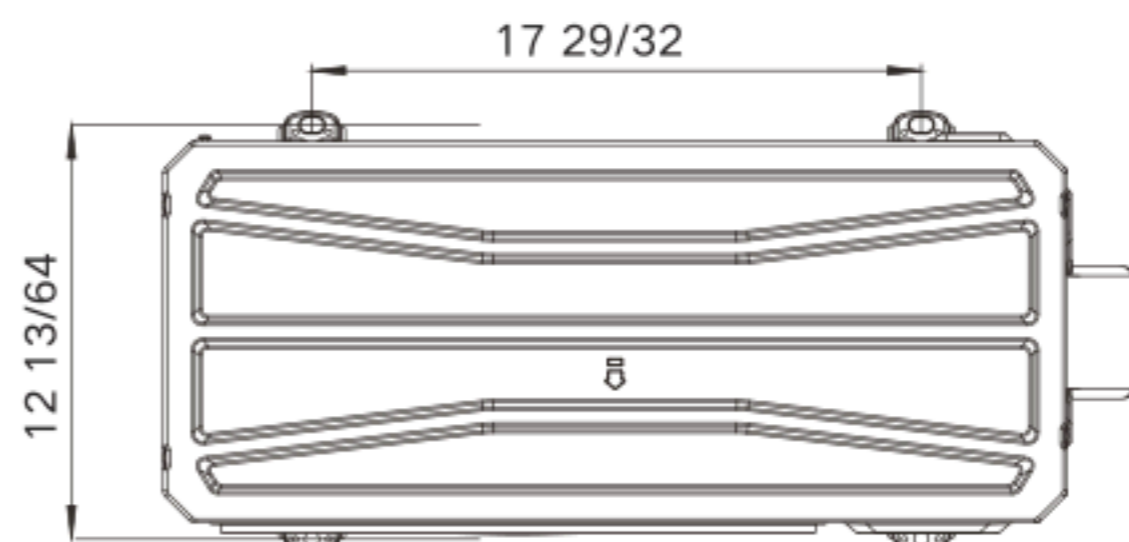
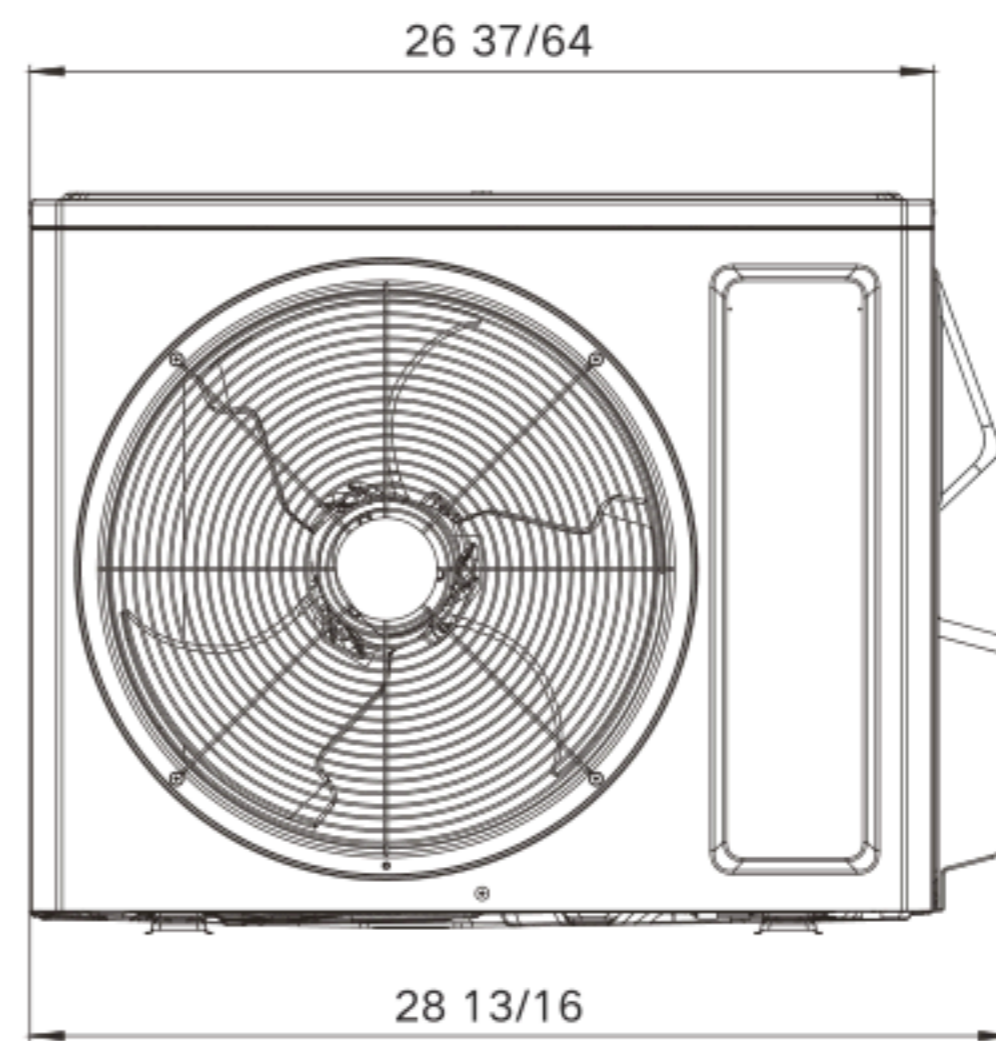
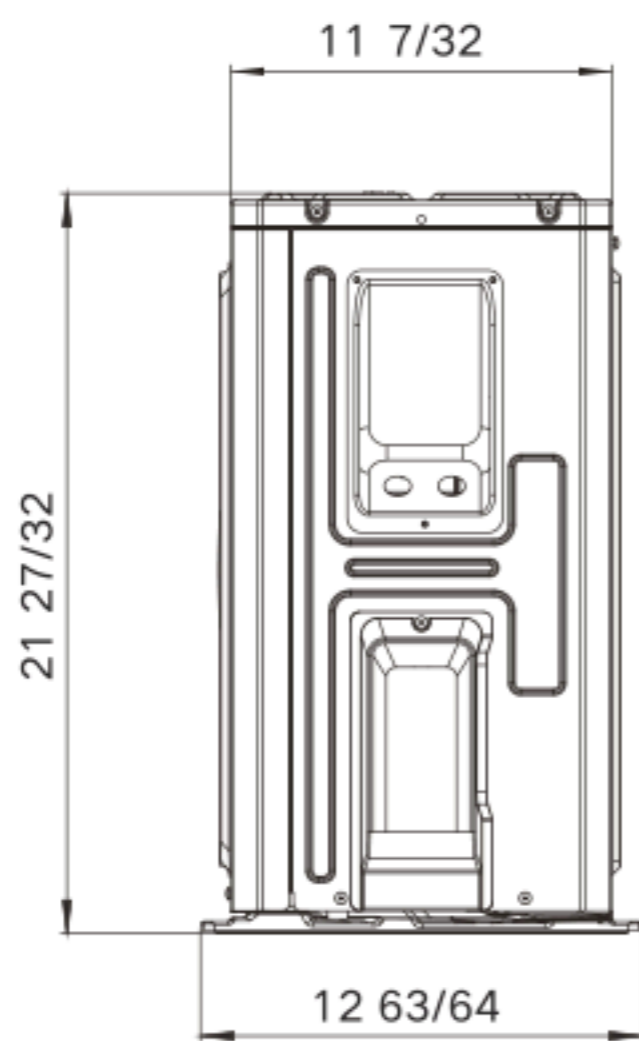


Outline Dimension Diagram



Unit: inch

Model	W	H	D
ATC	$32\frac{7}{8}$	$10\frac{53}{64}$	$7\frac{7}{8}$
	$W1$	$W2$	$W3$
	$7\frac{3}{64}$	$18\frac{5}{32}$	$7\frac{11}{16}$



Unit: inch



Installation Dimension Diagram

