

**NOBLELIFT**  
Material Handling

# OPL55N

Low-level Order picker



**NEW** / *Noblelift Products*  
**ARRIVAL**

ISO9001 / ISO14001

//2020.06

**NOBLELIFT INTELLIGENT EQUIPMENT CO., LTD**

[www.nobleliftna.com](http://www.nobleliftna.com)

# OPL55N

## Low-level Order picker

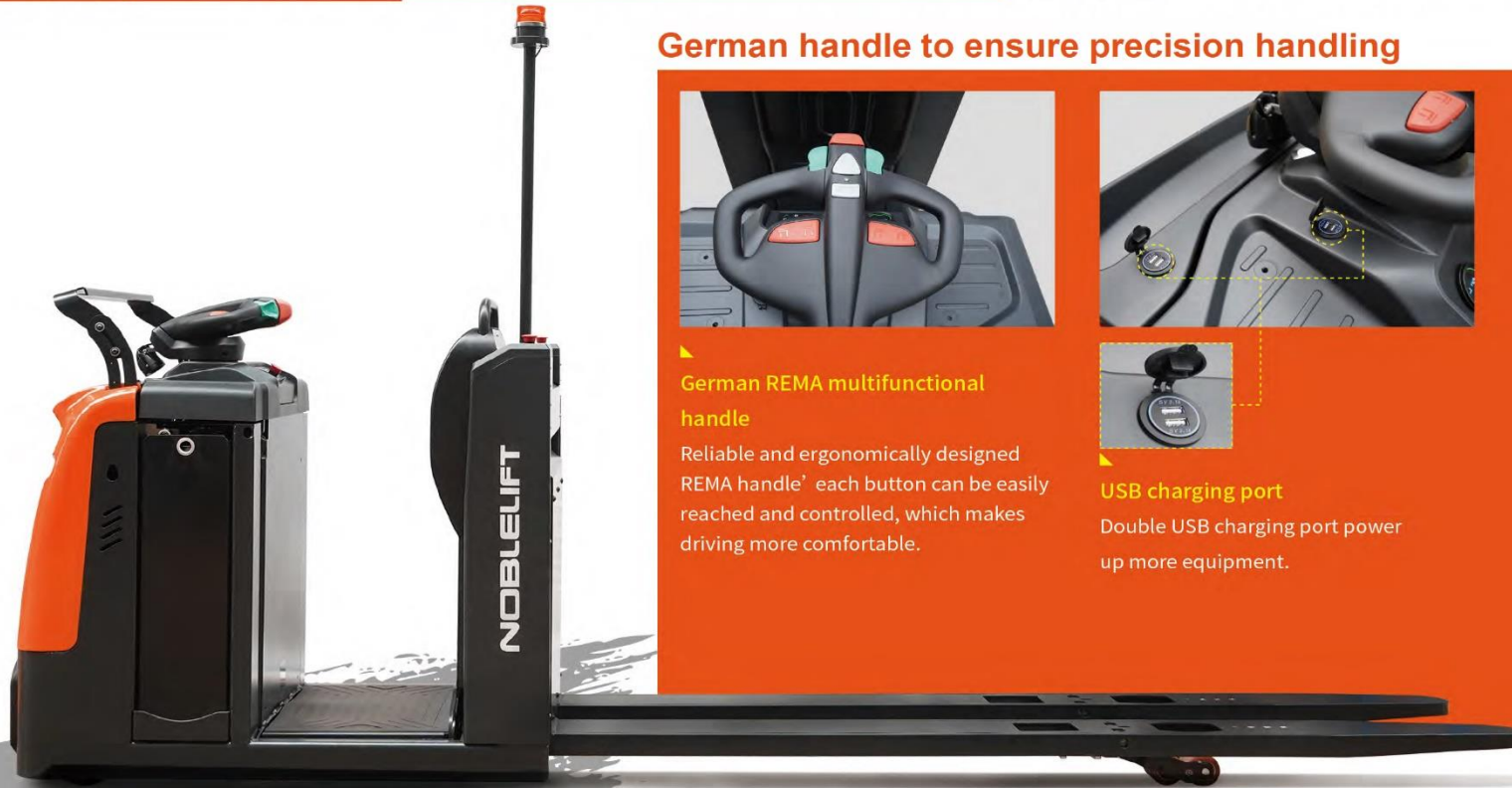
OPL55N is a low-level order picker that has strong power and better stability when increasing or decreasing speed thanks to the German AC drive and Italian Controller. Plus its electric steering system and German REMA multi-functional handle provides driving comfort and increased efficiency.

4 point structure floating shock absorption platform and rubber pads minimize the vibration. The ergonomically curved backrest can eliminate driver fatigue. Side extraction battery compartment allows quick and easy battery replacement for multi-shift operations.

Fully upgraded features make picking easier and more efficient and it provides various optional configurations such as extension bracket, caution light, blue light, entry rollers, storage tray, double USB charging port. etc.



# OPL55N Highlights



## German handle to ensure precision handling



### German REMA multifunctional handle

Reliable and ergonomically designed REMA handle' each button can be easily reached and controlled, which makes driving more comfortable.



### USB charging port

Double USB charging port power up more equipment.

## Well-designed and easy to maintain



Side extraction battery plus adjustable handling bracket makes battery replacement easier and quicker.



A variety of extension supports are available to meet the installation requirements of different extension equipment, such as WMS display, barcode scanner, storage tray, clipboards, etc.



The balance wheel is easily adjustable.



Easier to entry rollers.

## Safe and comfortable, easy storage



The standard blue light is mounted in a way that highlights the path the truck is taking. Greatly improving pedestrian safety.



Safety flanks and non-slip materials on both sides of the backrest ensure operator safety during operations. Ergonomic handle to assist in entry and exit of operators compartment



Large storage tray can be used for storing stretch film, pens, tools, or other items needed for efficient operation.

## Control Instrument and Multi-Function Handle



The multifunctional control instrument can display truck conditions, battery capacity, working time, travel speed, and steering angle. Outer ring will change color when unit needs attention.

The standard pin code pad can accept multiple passwords, RFID card can also be used to start unit.

## Robust and durable structure, high power and efficient driving technology



### German AC drive technology

AC drive system performs perfectly thanks to its high power maintenance-free German Schabmuller AC drive motor and KORDEL gearbox while smoothly increasing or decreasing speed.



### Italian ZAPI Controller

Provide clients with reliable, flexible and high-performance control system solution as adopting Italian ZAPI drive controller.

German load wheel has a long service life but a lower cost.

The reinforced welded fork is more robust and durable. Adopting adjustable trolley design in lifting that makes height adjustment and maintenance easier and convenient.



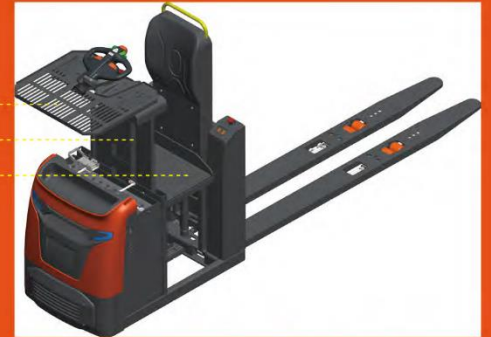
### High power and performance pump

Lifting is easier and more efficient using powerful, high performance pump.



German drive wheel has a high load capacity, is durable and lasts longer than other comparable drive wheels.

## Other optional parts



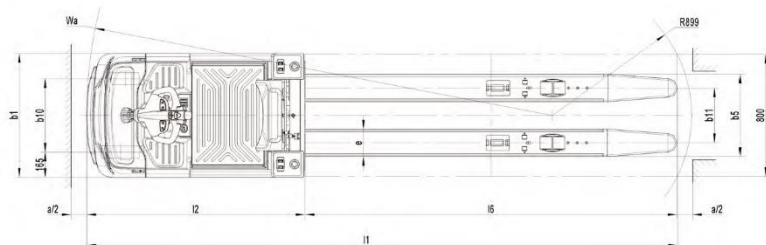
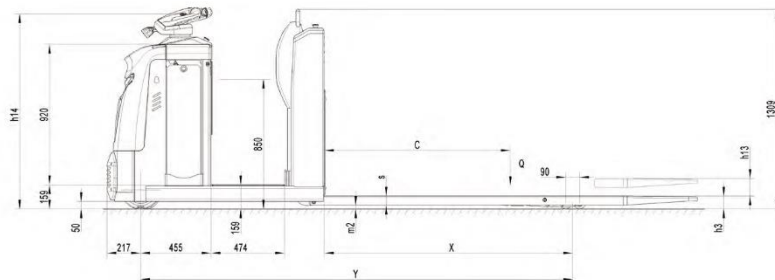
**A:** The storage shelf used while lifting operator's platform increases productivity for stock picking and re-stocking.

**B:** The operation platform can be lifted to the second rack which allows picking or retrieving more efficient.

**C:** Operator's platform can be lowered by using the foot switch, allowing operator use of hands.



The jog button on both sides of the truck allows the operator to operate truck forward/ backward or lift the fork while walking beside. There is no need for the operator to get in and out of the truck frequently to operate it. That greatly improved the picking efficiency and operation safety by reducing the speed controlled by the jog button.



**Type sheet for industrial truck acc. to VDI2198**

<b>Distinguishing mark</b>			
1.2	Manufacturer's type designation		OPL55N
1.3	Drive		Battery
1.4	Operator type		Order-pucker
1.5	Load capacity/Rated load	Q (lbs)	5500
1.6	Load center distance	c (in)	48
1.8	Load distance, the centre of drive axle to fork	x (in)	60.4 <sup>1)</sup>
1.9	Wheelbase	y (in)	107 <sup>1)</sup>
<b>Weight</b>			
2.1	Service weight	lbs	2826
2.2	Axle loading, laden front/rear	lbs	2838/5566
2.3	Axle loading, unladen front/rear	lbs	2156/748
<b>Tires, chassis</b>			
3.1	Tires		Polyurethane(PU)
3.2	Tire size,front	Øxw (in)	Ø 250×80
3.3	Tire size,rear	Øxw (in)	Ø 82×82
3.4	Additional wheels(dimensions)	Øxw (in)	Ø 180×80
3.5	Wheels,number front/rear(x=driven wheels)		1+1x/4
3.6	Tread,front	b <sub>10</sub> (in)	18.9
3.7	Tread,rear	b <sub>11</sub> (in)	14.2
<b>Dimensions</b>			
4.4	Lift	h <sub>3</sub> (in)	4.5
4.9	Height of tiller in drive position min./max.	h <sub>14</sub> (in)	50.4
4.15	Height, lowered	h <sub>13</sub> (in)	3.3
4.19	Overall length	l <sub>1</sub> (in)	148.4 <sup>2)</sup>
4.20	Length to face of forks	l <sub>2</sub> (in)	53.9 <sup>2)</sup>
4.21	Overall width	b <sub>1</sub> (in)	31.9
4.22	Fork dimensions	s/e/l (in)	2.36/7/94.5
4.25	Width across forks	b <sub>5</sub> (in)	21
4.32	Ground clearance, centre of wheelbase	m <sub>2</sub> (in)	1
4.34	Aisle width for pallets 800 x1200 lengthways	Ast (in)	156.3 <sup>3)</sup>
4.35	Turning radius	Wa (in)	116.7 <sup>3)</sup>
<b>Performance data</b>			
5.1	Travel speed,laden unladen	km/h	5.6/7.4
5.2	Lift speed,laden/unladen	in/s	1.6/2.5
5.3	Lowering speed,laden/unladen	in/s	2.36/1.6
5.8	Max. gradeability, laden/unladen	%	6 / 12
5.10	Service brake		Eletromagnetic
<b>Electric-engine</b>			
6.1	Drive motor rating S2 60min	kW	3.5
6.2	Lift motor rating at S3 10%	kW	2.9
6.3	Battery acc. to DIN 43531/35/36A,B,C,norm		No,3PzS
6.4	Battery voltage,nominal capacity K5	V / Ah	24 / 465
6.5	Battery Weight	lbs	775
6.6	Energy consumption acc. to VDI cycle	kWh/h	0.94
<b>Additional data</b>			
8.1	Type of drive control		AC speed Control
8.4	Sound level at driver's ear acc. to EN 12053	dB(A)	<70

- 1)、 After the fork is lowered x=63in, y=110in;
- 2)、 When crash pad is installed, l1=150in, l2=55.5in
- 3)、 When crash pad is installed, Wa=118.3in, Ast=158in
- 4)、 According to the VDI diagonal algorithm Ast=original measurement+3.7in