

# NOBLELIFT

**WALKIE REACH  
TRUCK  
3000 LBS**

**NEW**



**PS30RP**

# NOBLELIFT

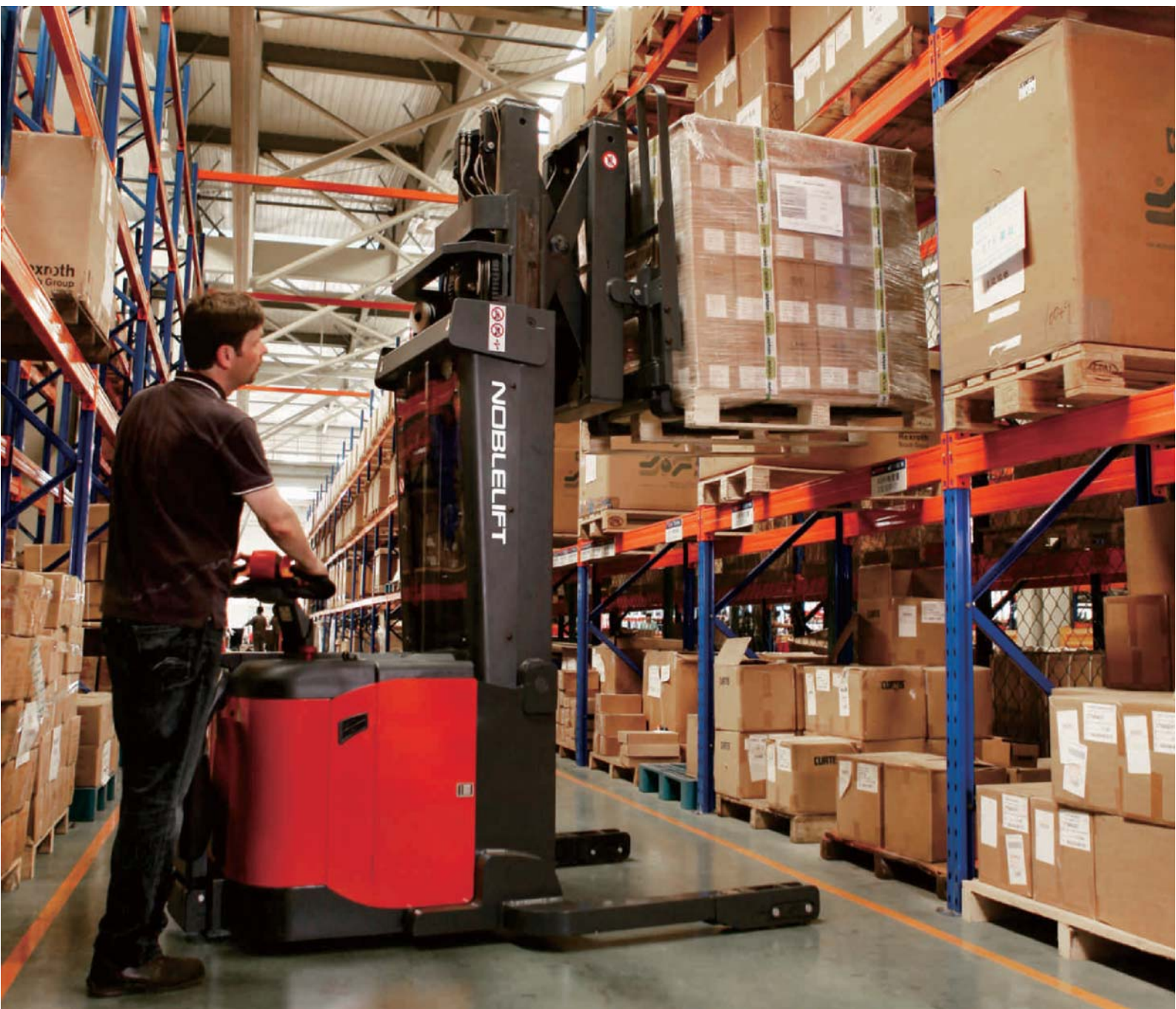


▸ **Straddle leg**  
The straddle leg for high residual capacities and for several applications.

▸ **Robust design**  
Solid straddle legs in combination with the very robust chassis and mast makes.



▸ **Optional suspension foldable platform with sideways protective arms.** The ergonomically designed foldable platform in combination with its sideways protective arms makes operations faster and safer.





#### ▶ CAN-BUS tiller

Lifting operations from the tiller with this CAN-BUS tiller all the functions are easiest to operate. Stacking operations become more precise and quicker.

#### ▶ Proportional lift

The proportional lift functions ensures very precise positioning of fragile loads.

#### ▶ Noblelift AC drive system

The AC drive system gives high performance, ensures low maintenance costs and its high efficiency saves energy for longer operations.



#### ▶ Reach Pantograph

With the reach pantograph it is possible to enter into more deeper storage areas without moving a more heavier mast. This reduces maintenance costs.



#### ▶ Sideways battery exchange

During long or multi shifts the sideways exchange battery compartment reduces the downtime to a minimum.



#### ▶ Control elements

Key-switch, emergency switch and battery discharge indicator.

#### ▶ Storage tray

The robust battery cover to with storage areas for utilities or packaging- and stretch foil.

#### ▶ Electric steering

The electric steering makes the operating effortless. Maneuvering in narrow spaces becomes with the electric steering easiest.



## Type sheet for industrial truck acc. to VDI 219

## Distinguishing mark

1.2	Manufacturer`s type designation		114	126	142	PS30RP 157	181	197	217
1.3	Power(battery,diesel,petrol gas,manual)					Battery			
1.4	Operator type					Pedestrian			
1.5	Load Capacity / rated load	Q (lbs)				3086.5			
1.6	Load centre distance	C (in)				23.6			
1.8	Load distance, centre of drive axle to fork	X (in)		16.1				17.4	
1.9	Wheelbase	y (in)				59.5			

## Weight

2.1	Service weight	lbs				5357			
2.3	Axle loading, unladen front/ rear	lbs				3439/1918			
2.4	Axle loading, fork advanced , laden front/rear	lbs				1953/6490			
2.5	Axle loading, fork retracted , laden front/rear	lbs				3115/5329			

## Tires, chassis

3.1	Tires					Polyurethane(PU)			
3.2	Tire size, front	φx w (in)				10×3			
3.3	Tire size, rear	φx w (in)				4×2.8			
3.5	Wheels, number front/ rear(x=driven wheels)					1×+ -2; -/4			
3.6	Tread, front	b10 (in)				-			
3.7	Tread, rear	b11 (in)				38.2-54.2			

## Dimensions

4.1	Till of mast/fork carriage forward/backward					2/4			
4.2	Lowered mast height	h1(in)	78	83.9	91.8	78	85.9	91.4	97.7
4.3	Free lift height	h2(in)				34.3	42.1	47.6	53.9
4.4	Lift height	h3(in)	111.8	123.6	139.4	155.1	178.7	194.5	214.2
4.5	Extended mast height	h4(in)	155.6	167.4	183.1	198.9	222.5	238.3	258
4.9	Height of tiller in drive position min. / max.	h14(in)				47.2/55.9			
4.15	Height, lowered	h13(in)				2.5			
4.19	Overall length	l1 (in)		101.8				100.6	
4.20	Length to face of forks	l2 (in)		56.5				55.3	
4.21	Overall width	b1 (in)				36.2(42.4-58.3)			
4.22	Fork dimensions	s/e/l (in)				1.4/3.9/45.3			
4.25	Distance between fork-arms	b5 (in)				7.9-29.9			
4.28	Reach distance	l4(in)				22.4			
4.32	Ground clearance, centre of wheelbase	m2 (in)				2			
4.33	Aisle width for pallets 1000X1200 crossways	Ast (in)		110.7				109.9	
4.34	Aisle width for pallets 1000X1200 lengthways	Ast (in)		112.4				111.4	
4.35	Turning radius	Wa (in)				69.7			

## Performance

5.1	Travel speed, laden/ unladen	mph				3.7/3.7			
5.2	Lift speed, laden/ unladen	fpm				23.6/37.4			
5.3	Lowering speed, laden / unladen	fpm				33.5/29.5			
5.4	Reaching speed , laden / unladen	fpm				29.5/31.5			
5.8	Max . gradeability , laden/unladen	%				6/10			
5.10	Service brake					Electromagnetic			

## Electric-engine

6.1	Drive motor rating S2 60min	HP				2.1			
6.2	Lift motor rating at S3 15%	HP				5.4			
6.3	Battery acc. to DIN 43531 /35 / 36 A, B, C, no					A,4Pzs			
6.4	Battery voltage, nominal capacity K5	V/Ah				24/400			
6.5	Battery weight (minimum)	lbs				837.8			
6.6	Energy consumption acc. to VDI cycle	kWh/h				3.24			

## Additional data

8.1	Type of drive control					AC-Speed Controller			
8.4	Sound level at driver`s ear acc. to EN 12053	dB(A)				<70			

Mast table PS 30RP

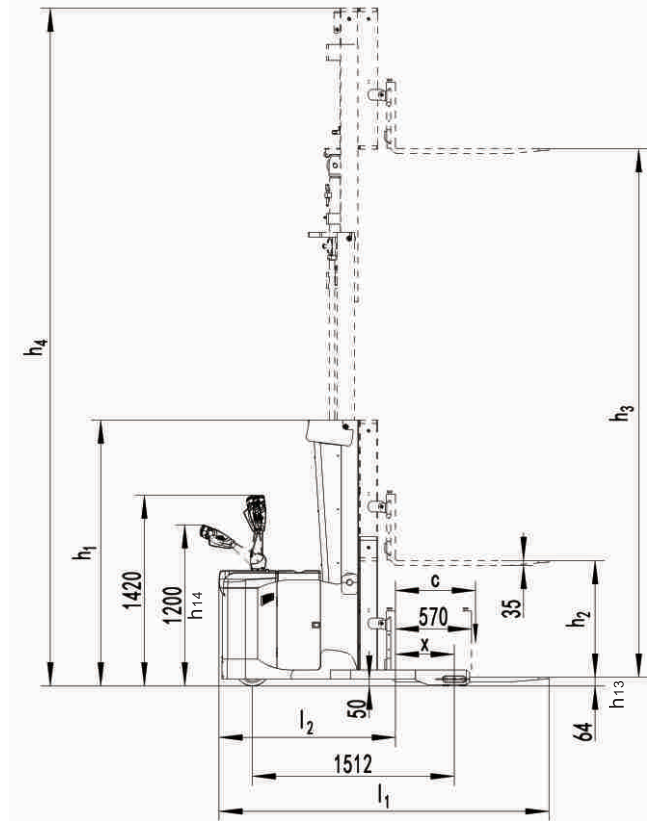
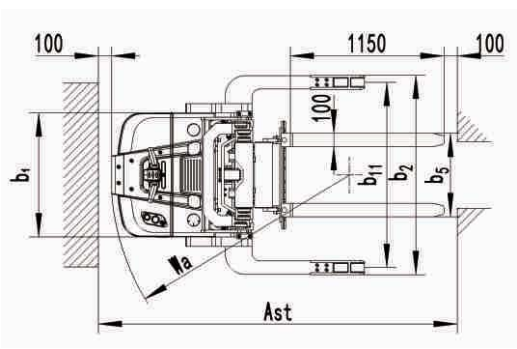
Designation	Lowered mast	Free lift	Lift	Extended mast
	height h1 inch	height h2 inch	height h3 inch	height h4 inch
<b>PS 30RP</b>				
Two-stage mast	78	-	111.8	155.6
	83.9	-	123.6	167.4
	91.8	-	139.4	183.1
Three-stage mast FFL	78	34.3	155.1	198.9
	85.9	42.1	178.7	222.5
	91.4	47.6	194.5	238.3
	97.7	53.9	214.2	258

Type	PS 14RP
Mast	5500 mm

h3 (mm)	Q (kg)	
5500	800	800
5000	1000	1000
4600	1200	1200
4000	1400	1400

c(mm)	600	700	
-------	-----	-----	--



# PS 30RP

## Walkie Reach Truck

### INTRODUCTION

The PS 30RP series comes with a variety of advantages to make the operations effortless and faster to save logistics costs and to increase the handling capacity.

Using the example of the high perform AC drive system, the electric steering or that all lifting operations are controlled by the tiller shows how many advantages are combined in this truck to increase the logistics performance.

The optional available foldable platform is the best choice if the truck is used in larger warehouses with longer traveling distances.

### ADVANTAGES

- Capacity of 3000lbs.
- Reach Pantograph with fork tilting.
- Noblelift AC drive system.
- Electric steering.
- Lifting functions controller ergonomically and effortless form the tiller.
- Proportional lift.
- Sideways exchange battery compartment for 4PzS.

**AUTHORIZED DEALER**

#### **Noblelift North America Corp.**

Add:2451 American Lane,  
Elk Grove Village, IL 60007  
TEL:+1-847-595-7100  
FAX:+1-847-595-7200  
WEB:www.noblelift.us  
Email: sales@noblelift.com