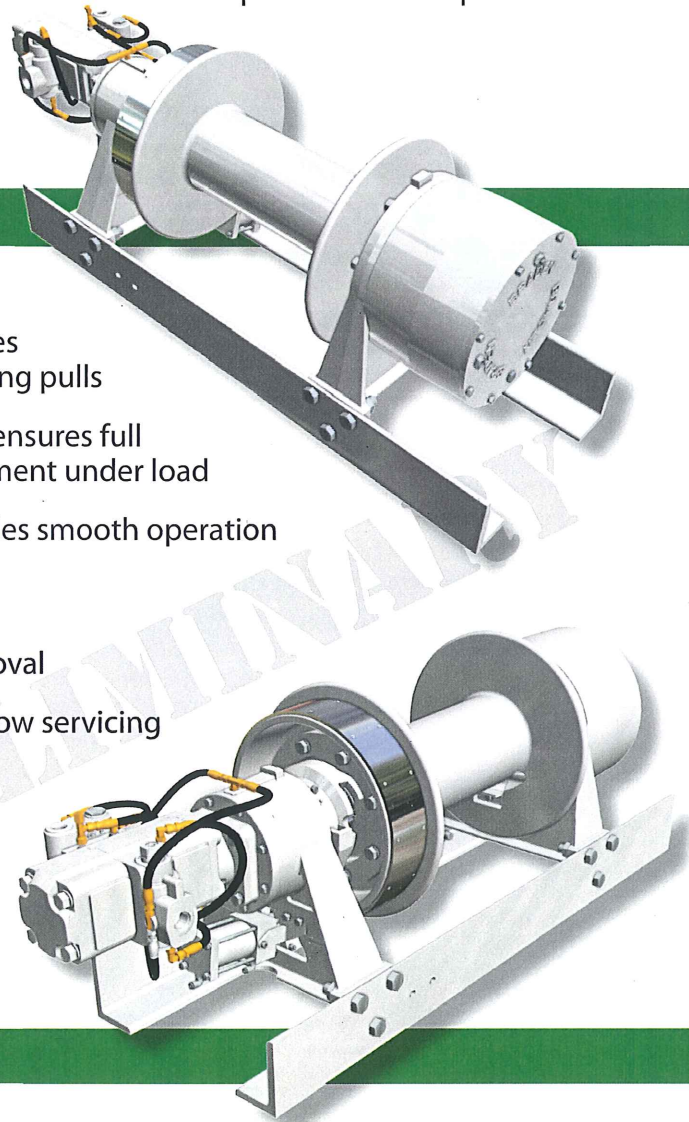


The BRADEN HP65 is ready to conquer the challenges of the oilfield. This compact and powerful recovery winch delivers best-in-class line-pull and robust performance in the toughest applications. Precise load control and ease of service make the BRADEN HP65 the top choice for operators and fleet owners alike.

Features/Benefits

- Sealed three-stage high-efficiency planetary reduction gearing provides continuous duty performance for long pulls
- Exclusive negative-draft jaw clutch ensures full engagement – prevents disengagement under load
- Patented BRADEN brake valve enables smooth operation and precise load control
- Exclusive ferrule anchor system facilitates rope installation and removal
- Easy-to-access lubrication points allow servicing with wire rope in place
- SAE J706 compliance-tested to ensure safe and secure operation



Options

- Electronic load monitor for lighted visual line pull indicator and audible overload warning
- Clutch engagement indicator provides load status without need for direct line-of-sight to winch
- Piston motor with SAE "D" mounting configuration

HP65A PLANETARY WINCH

68,580 lb (31,136 kg)



Performance

HP65A-108089/045-01

Wire Rope Dia.	Motor Code 089 (Low Speed)		045 (High Speed)		Rope Capacity		
	Pressure 2,400 psi						
	Flow 60 gpm						
1 in.	Layer	Line Pull (lb)	Line Speed (fpm)	Line Pull (lb)	Line Speed (fpm)	Rope Capacity (ft)	
	1	68,580	28	34,252	56		45
	2	56,111	34	28,024	69		99
	3	47,479	50	23,713	81		164
	4	41,148	73	20,551	94	239	

Wire Rope Dia.	Motor Code 089 (Low Speed)		045 (High Speed)		Rope Capacity		
	Pressure 165 bar						
	Flow 227.1 lpm						
25 mm	Layer	Line Pull (kg)	Line Speed (Mpm)	Line Pull (kg)	Line Speed (Mpm)	Rope Capacity (M)	
	1	31,136	9	15,550	17		14
	2	25,475	10	12,723	21		30
	3	21,555	12	10,766	25		50
	4	18,681	14	9,330	29	73	

Dimensions

HP65A-108089/045-01

DIMENSIONS IN INCHES (MM)

