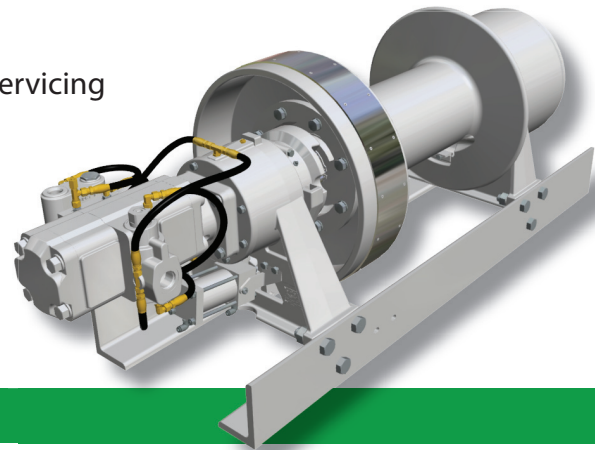
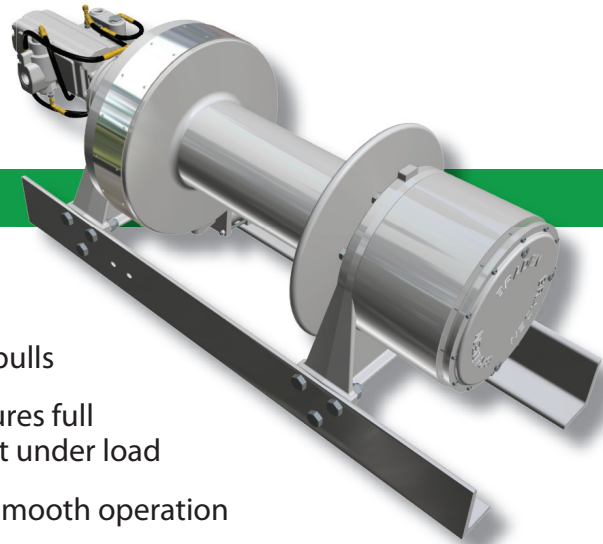


The BRADEN HP80 is ready to conquer the challenges of the oilfield. This compact and powerful recovery winch delivers best-in-class line-pull and robust performance in the toughest applications. Precise load control and ease of service make the BRADEN HP80 the top choice for operators and fleet owners alike.

Features/Benefits

- Sealed three-stage high-efficiency planetary reduction gearing provides continuous duty performance for long pulls
- Exclusive negative-draft jaw clutch ensures full engagement – prevents disengagement under load
- Patented BRADEN brake valve enables smooth operation and precise load control
- Exclusive ferrule anchor system facilitates rope installation and removal
- Easy-to-access lubrication points allow servicing with wire rope in place
- SAE J706 compliance-tested to ensure safe and secure operation



Options

- Electronic load monitor for lighted visual line-pull indicator and audible overload warning
- Clutch engagement indicator provides load status without need for direct line-of-sight to winch
- Piston motor with SAE "D" mounting configuration

HP80A PLANETARY WINCH

80,000 lb (36,300 kg)



Performance

HP80A-123089/045-01

		MOTOR CODE 089 (LOW SPEED)		045 (HIGH SPEED)				MOTOR CODE 089 (LOW SPEED)		045 (HIGH SPEED)					
WIRE ROPED DIA.		PRESSURE		2675 psi		FLOW		PRESSURE		184 bar					
		60 gpm				227 lpm									
1 in.		LAYER	LINE PULL (lb)	LINE SPEED (FPM)	LINE PULL (lb)	LINE SPEED (fpm)	ROPE CAPACITY (ft)	25.4 mm		LAYER	LINE PULL (kg)	LINE SPEED (Mpm)	LINE PULL (kg)	LINE SPEED (Mpm)	ROPE CAPACITY (M)
		1	80000	27	38270	60	47			1	36335	8	17395	18	14
		2	66670	32	31890	72	103			2	30305	10	14495	22	31
		3	57140	38	27330	84	168			3	25975	12	12425	26	51
		4	50000	43	23920	96	243			4	22725	13	10875	29	74
		5	44450	49	21260	108	327			5	20205	15	9665	33	100

Dimensions

HP80A-123089/045-01

