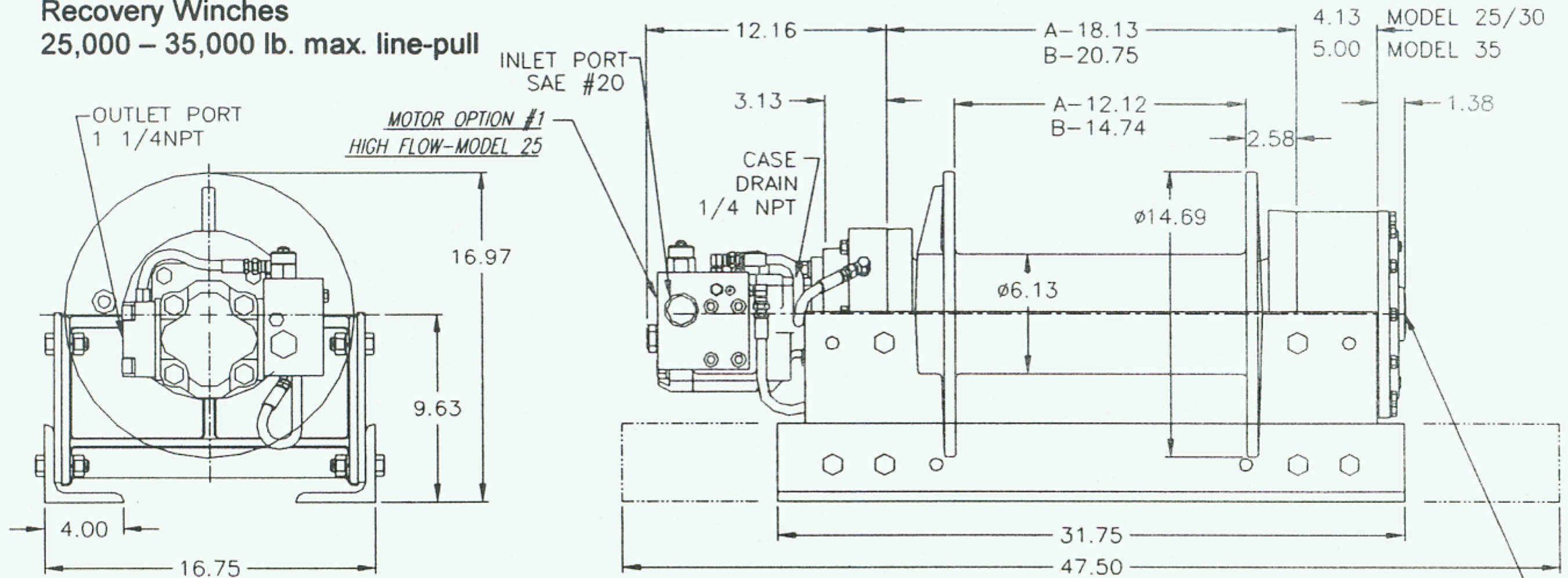


# dp WINCH

## Models 25 – 30 – 35

Recovery Winches  
25,000 – 35,000 lb. max. line-pull



OPERATION OPTION #1  
NO KICKOUT

MODEL 25-APPROX. WEIGHT 625 LBS.  
MODEL 30-APPROX. WEIGHT 650 LBS.  
MODEL 35-APPROX. WEIGHT 655 LBS.

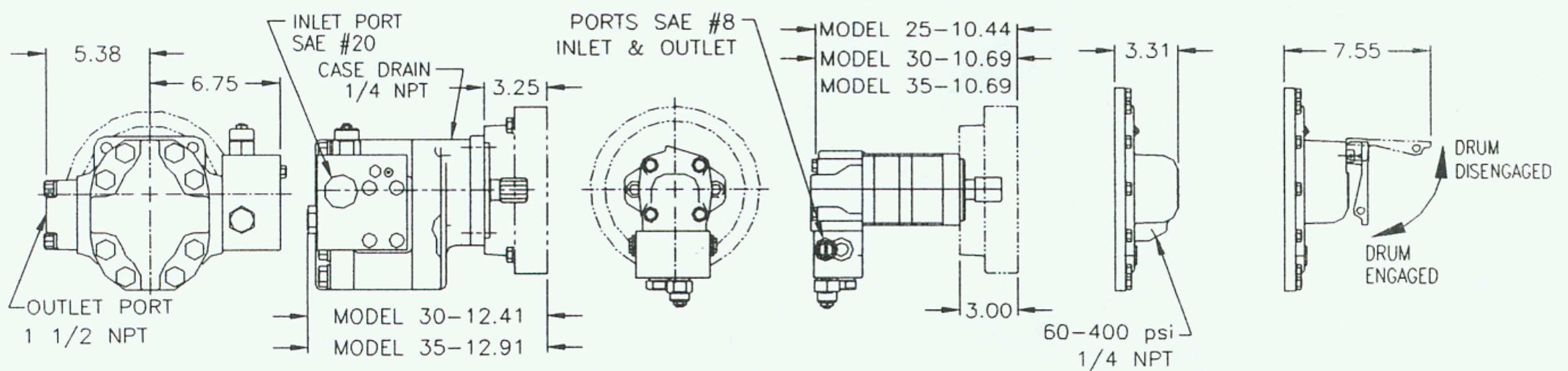
### OPTIONAL FEATURES

MOTOR OPTION #1  
HIGH FLOW - 30/35

MOTOR OPTION #2  
MEDIUM FLOW - 25/30/35

OPERATION OPTION #4  
AIR/HYDRAULIC KICKOUT

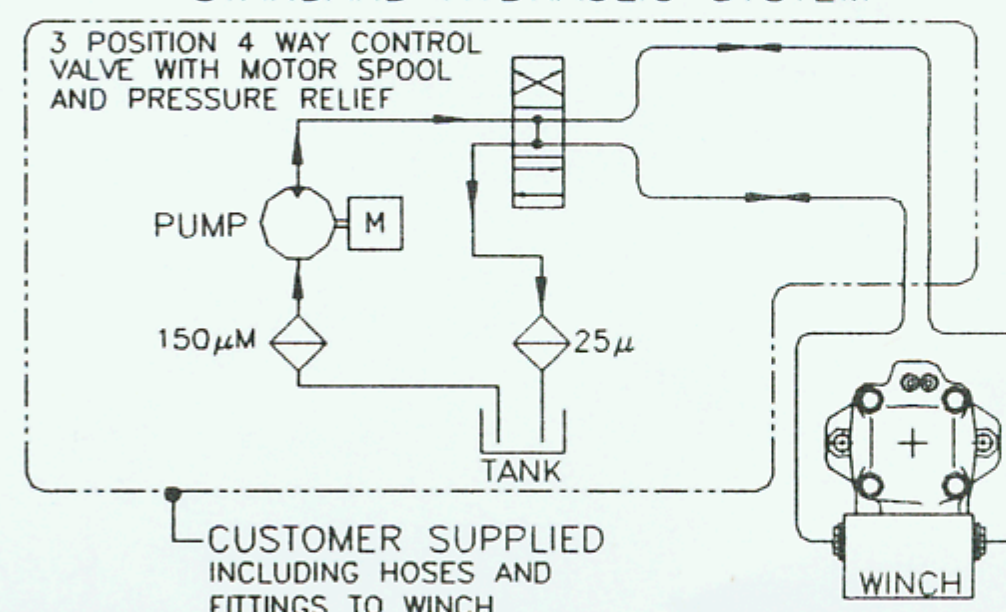
OPERATION OPTION #5  
MANUAL LEVER KICK OUT



### DRUM CAPACITIES - FT

LAYER	9/16" WIRE ROPE		5/8" WIRE ROPE		3/4" WIRE	
	A	B	A	B	A	B
1	34	41	31	38	26	32
2	74	90	67	82	58	71
3	119	145	110	133	96	116
4	170	207	158	192	139	169
5	227	276	211	257	188	229
6	289	352	271	329	-	-
7	*358	435	-	-	-	-

### STANDARD HYDRAULIC SYSTEM



Drum capacities are in accordance with SAE J706. Actual capacities are usually up to 10% greater than those shown.  
\*Last layer capacity does not meet SAE J706.

Distributor:

DP Manufacturing, Inc.  
PO Box 1130  
Jenks, OK 74037  
(918) 298-8300  
Fax: (918) 298-8301  
www.dpwinch.com



A DOVER RESOURCES COMPANY

MODEL 25

WIRE ROPE DIA-IN	LAYER	LINE PULL LB.	LINE SPEED FPM	
			HIGH FLOW	MEDIUM FLOW
9/16	1	25000	85	36
	2	21400	100	42
	3	18700	114	48
	4	16600	129	54
	5	14900	143	60
	6	13600	157	67
	7 *	12400	172	73

WIRE ROPE DIA-IN	LAYER	LINE PULL LB.	LINE SPEED FPM	
			HIGH FLOW	MEDIUM FLOW
5/8	1	25000	86	37
	2	21100	102	43
	3	18200	118	50
	4	16100	134	57
	5	14400	150	64
	6	13000	166	70
	7	-	-	-

Model 25 Performance based on 25 GPM @ 2950 PSI (medium flow) and 60 GPM @ 2750 PSI (high flow)

MODEL 30

WIRE ROPE DIA-IN	LAYER	LINE PULL LB.	LINE SPEED FPM	
			HIGH FLOW	MEDIUM FLOW
5/8	1	30000	90	29
	2	25300	107	34
	3	21900	123	39
	4	19300	140	45
	5	17200	157	50
	6	15600	173	55

WIRE ROPE DIA-IN	LAYER	LINE PULL LB.	LINE SPEED FPM	
			HIGH FLOW	MEDIUM FLOW
3/4	1	30000	92	29
	2	24600	112	36
	3	20900	132	42
	4	18100	152	48
	5	16000	171	55
	6	-	-	-

Model 30 Performance based on 25 GPM @ 2800 PSI (medium flow) and 80 GPM @ 2650 PSI (high flow)

MODEL 35

WIRE ROPE DIA-IN	LAYER	LINE PULL LB.	LINE SPEED FPM	
			HIGH FLOW	MEDIUM FLOW
5/8	1	35000	71	28
	2	29500	84	34
	3	25500	97	39
	4	22500	110	44
	5	20100	123	49
	6	18200	136	55

WIRE ROPE DIA-IN	LAYER	LINE PULL LB.	LINE SPEED FPM	
			HIGH FLOW	MEDIUM FLOW
3/4	1	35000	72	29
	2	28700	88	35
	3	24400	104	42
	4	21200	119	48
	5	18700	135	54
	6	-	-	-

Model 35 Performance based on 30 GPM @ 2750 PSI (medium flow) and 80 GPM @ 2400 PSI (high flow)

NOTE: The rated line pulls are for the winch only. Consult the wire rope manufacturer for wire rope ratings. Flows listed are Maximum for each specific motor.

Because of continued product improvement, we reserve the right to make changes without notice.

**CAUTION:**

The last 5 wraps of cable must be left on the drum to assist the cable clamp in holding the load.

**WARNING:**

Winches are not intended to be used for the lifting or moving of persons