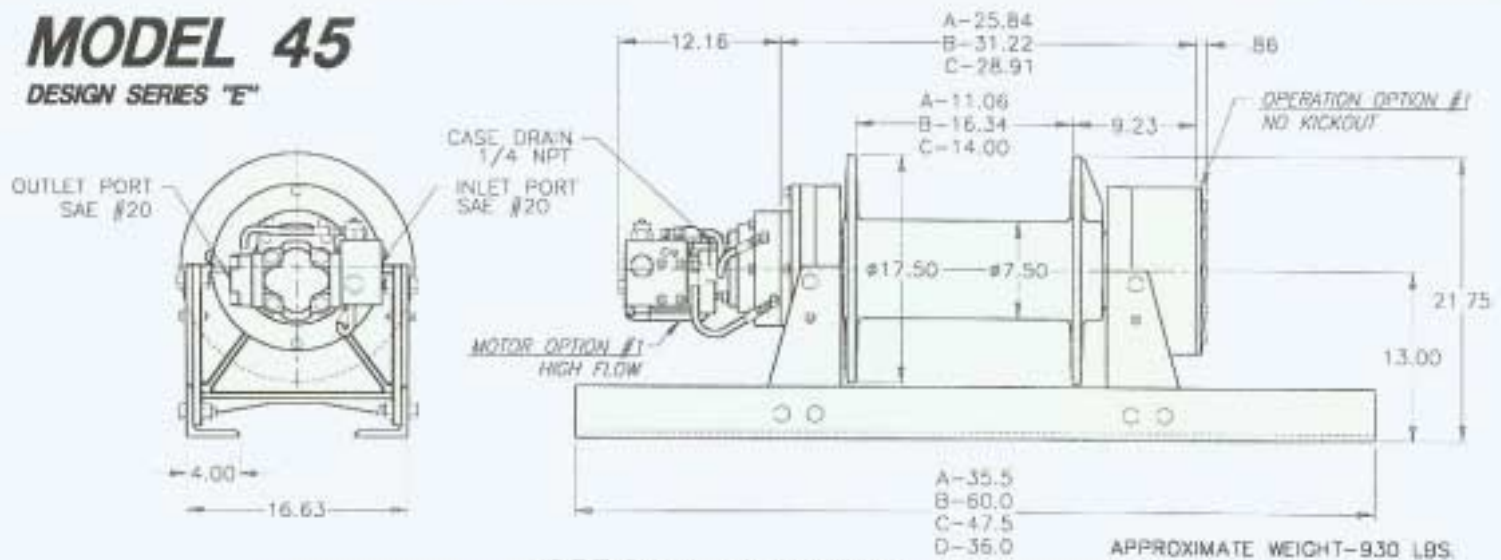


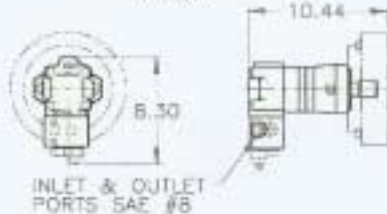
## MODEL 45

DESIGN SERIES "E"



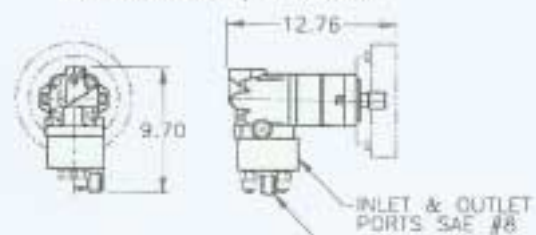
### OPTIONAL FEATURES

MOTOR OPTION #2  
LOW FLOW



MOTOR OPTION #3

LOW FLOW - 2 SPEED/30 GPM MAX



2 SPD SOLENOID CARTRIDGE  
NORMAL MODE-LOW SPEED/HIGH TORQUE  
ENERGIZED MODE-12VDC-HIGH SPEED/LOW TORQUE

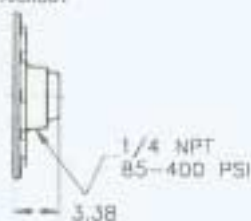
OPERATION OPTION #2

2 SPEED GEARBOX - AIR/HYD KICKOUT



OPERATION OPTION #4

AIR/HYD KICKOUT

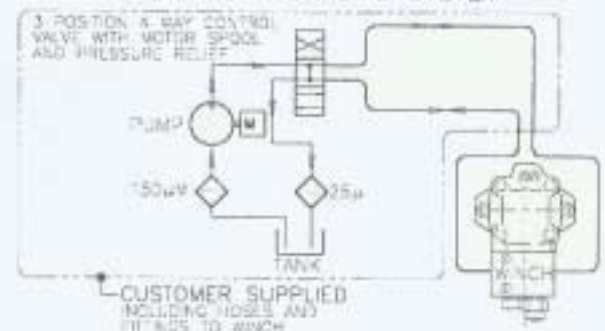


### DRUM CAPACITIES - FT

LAYER	3/4" WIRE ROPE			7/8" WIRE ROPE		
	A	B	C	A	B	C
1	29	42	38	25	37	32
2	63	92	79	55	81	70
3	102	150	129	90	133	115
4	145	215	185	131	193	166
5	195	288	247	177	261	224
6	250	369	317	-	-	-

NOTE: Drum capacities are in accordance with SAE J706. Actual capacities are usually up to 10% greater than those shown. Because of continued product improvement, we reserve the right to make changes without notice.

### STANDARD HYDRAULIC SYSTEM



Distributor:

DP Manufacturing, Inc.  
PO Box 1130  
Jenks, OK 74037  
(918) 298-8300  
Fax: (918) 298-8301  
www.dpwinch.com



A DOVER RESOURCES COMPANY

# PERFORMANCE DATA

## SINGLE SPEED MOTOR

### MOTOR OPTION #1 - HIGH FLOW

WIRE ROPE DIA. IN.	LAYER	LINE PULL LB.		LINE SPEED FPM	
		LOW	HIGH	LOW	HIGH
3/4	1	45000	22500	23	45
	2	38100	19000	27	54
	3	33000	16500	31	62
	4	29100	14600	35	70
	5	26100	13000	39	78
	6	23600	11800	43	87

Performance based on 60 GPM @ 2500 PSI Differential across the Motor.

### MOTOR OPTION #2 - LOW FLOW

WIRE ROPE DIA. IN.	LAYER	LINE PULL LB.		LINE SPEED FPM	
		LOW	HIGH	LOW	HIGH
3/4	1	45000	22500	18	36
	2	38100	19000	21	42
	3	33000	16500	25	50
	4	29100	14600	28	56
	5	26100	13000	31	62
	6	23600	11800	34	68

Performance is based on 30 GPM @ 2700 PSI Differential across the Motor.

WIRE ROPE DIA. IN.	LAYER	LINE PULL LB.		LINE SPEED FPM	
		LOW	HIGH	LOW	HIGH
7/8	1	45000	22500	41	82
	2	37200	18600	49	98
	3	31700	15900	58	116
	4	27700	13800	66	132
	5	24500	12300	75	150
	6	-	-	-	-

WIRE ROPE DIA. IN.	LAYER	LINE PULL LB.		LINE SPEED FPM	
		LOW	HIGH	LOW	HIGH
7/8	1	45000	22500	18	36
	2	37200	18600	22	44
	3	31700	15900	26	52
	4	27700	13800	30	60
	5	24500	12300	34	68
	6	-	-	-	-

## 2 SPEED MOTOR

### MOTOR OPTION #3 - LOW FLOW

WIRE ROPE DIA. IN.	LAYER	LINE PULL LB.		LINE SPEED FPM	
		LOW	HIGH	LOW	HIGH
3/4	1	45000	22500	23	45
	2	38100	19000	27	54
	3	33000	16500	31	62
	4	29100	14600	35	70
	5	26100	13000	39	78
	6	23600	11800	43	87

Performance is based on 30 GPM @ 2800 PSI Differential across the Motor.

WIRE ROPE DIA. IN.	LAYER	LINE PULL LB.		LINE SPEED FPM	
		LOW	HIGH	LOW	HIGH
7/8	1	45000	22500	23	46
	2	37200	18600	28	56
	3	31700	15900	33	65
	4	27700	13800	37	75
	5	24500	12300	42	85
	6	-	-	-	-

## 2 SPEED GEAR BOX-OPERATION OPTION #2

### MOTOR OPTION #1 - HIGH FLOW

WIRE ROPE DIA. IN.	LAYER	LINE PULL LB.		LINE SPEED FPM	
		LOW	HIGH	LOW	HIGH
3/4	1	45000	7320	40	247
	2	38100	6200	48	292
	3	33000	5370	55	337
	4	29100	4740	62	382
	5	26100	4240	69	427
	6	23600	3830	77	472

Performance is based on 60 GPM @ 2500 PSI Differential across the Motor.

WIRE ROPE DIA. IN.	LAYER	LINE PULL LB.		LINE SPEED FPM	
		LOW	HIGH	LOW	HIGH
7/8	1	45000	7320	41	251
	2	37200	6050	49	304
	3	31700	5160	58	356
	4	27700	4500	66	408
	5	24500	3990	75	461
	6	-	-	-	-

### MOTOR OPTION #2 - LOW FLOW

WIRE ROPE DIA. IN.	LAYER	LINE PULL LB.		LINE SPEED FPM	
		LOW	HIGH	LOW	HIGH
3/4	1	45000	7320	18	111
	2	38100	6200	21	131
	3	33000	5370	25	151
	4	29100	4740	28	171
	5	26100	4240	31	191
	6	23600	3830	34	211

Performance is based on 30 GPM @ 2700 PSI Differential across the Motor.

WIRE ROPE DIA. IN.	LAYER	LINE PULL LB.		LINE SPEED FPM	
		LOW	HIGH	LOW	HIGH
7/8	1	45000	7320	18	112
	2	37200	6050	22	136
	3	31700	5160	26	159
	4	27700	4500	30	183
	5	24500	3990	34	206
	6	-	-	-	-

NOTE: The rated line pulls are for the winch only. Consult the wire rope manufacturer for wire rope ratings. Flows listed are Maximum for each specific motor.

### CAUTION:

The last 5 wraps of cable must be left on the drum to assist the cable clamp in holding the load.

### WARNING:

Winches are not intended to be used for the lifting or moving of persons.