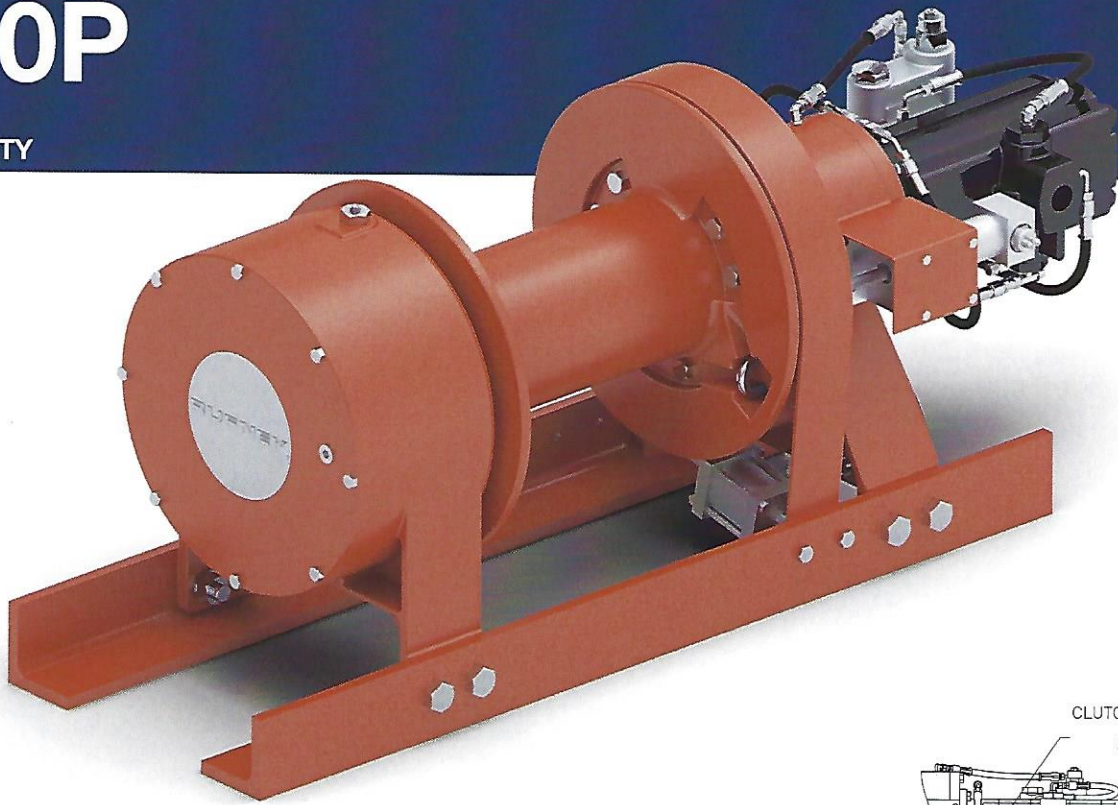
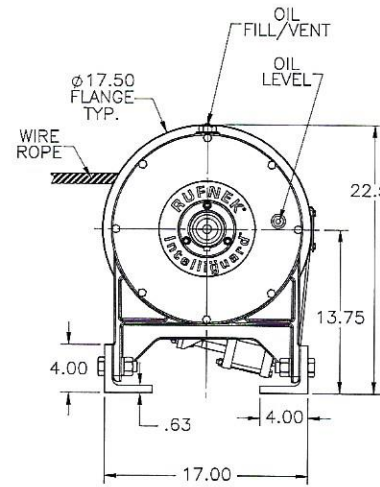
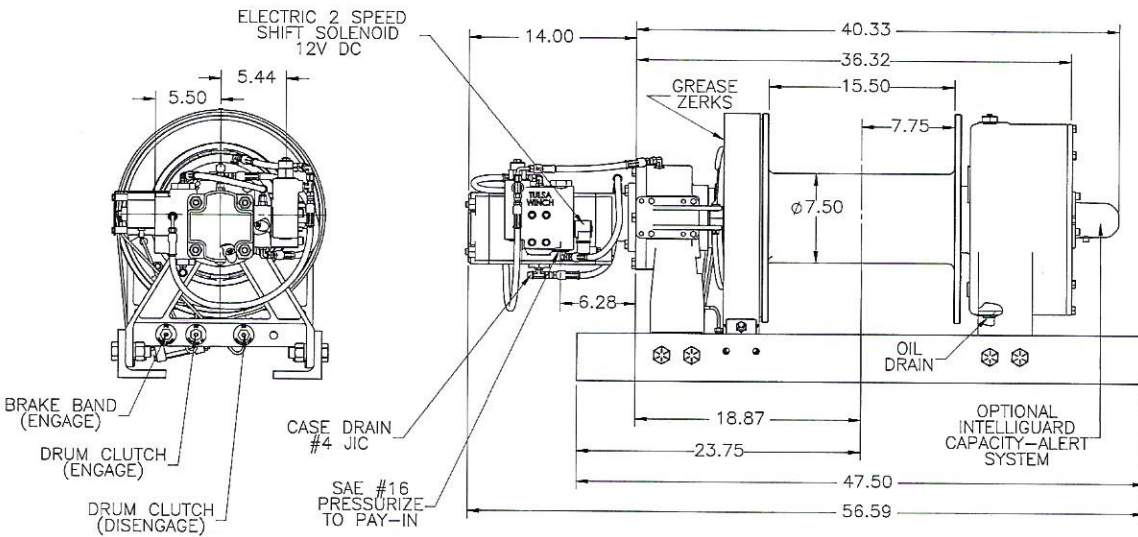
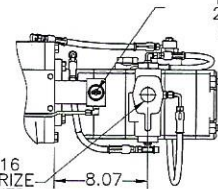


# RN50P

50,000 LBS.  
PULLING CAPACITY



CLUTCH POSITION INDICATOR  
12V DC 35 AMPS  
24V DC 20 AMPS  
NORMALLY OPEN



## PERFORMANCE DATA

2500 PSI @ 60 GPM / 155 BAR @ 227 LPM

Layer	Low Speed				High Speed				Cable	
	Linepull		Linespeed		Linepull		Linespeed		Capacity	.875" Ø
	(lb)	(kg)	(fpm)	(mpm)	(lb)	(kg)	(fpm)	(mpm)	(ft)	(m)
1	50,000	22,679	40	13	21,230	9629	83	25	34	10
2	41,501	18,824	49	15	17,561	7965	100	31	74	21
3	35,385	16,050	57	17	14,973	6791	117	37	122	35
4	30,840	13,988	65	19	13,050	5919	134	42	176	51
5	27,330	12,396	74	22	11,565	5245	152	48	238	73

Approximate weight: 940 lb / 426 kg