

# *Avimore*



## Installation Guide



## Quick Reference - Installation

### Step 1: Familiarize yourself with Avimore Fence

- Basic styles and fill options
- Post types and components
- Determining body height/width • Determining post height

### Step 2: Space and mark holes

- Account for differences in spacing for interior vs exterior channel on posts

### Step 3: Dig holes

- Dig holes to a depth of at least 25% of total post height, and below frost line if applicable
- Holes should have a diameter of approximately 8"
- Bell out bottom of holes

### Step 4: Prep posts

- Cut posts if needed
- Install exterior u-channel on posts

### Step 5: Set posts

- Set each post in center of hole and pour concrete mix
- Tamp concrete to reduce air pockets
- Level and square post
- Test post spacing for each section with a rail or Breeze picket of the correct length for the section

### Step 6: Install bottom rail or picket

- Secure bottom rail or picket with a bracket or screw on each side

**Step 7: Add fill material**

- Slide pickets and spacers (if applicable) into channels on top of bottom rail or picket
- Install and secure top rail or picket with brackets or screws

**Step 8: Install gates**

- Attach hinges to gate
- Line up gate to desired height
- Attach hinges to fully-set gate post
- Install latch
- Install cable kit if applicable

**Step 9: Add gap fillers and caps**

- Cut gap fillers to post channel height and drop into end and corner posts.
- Install caps by pressing them down over the top of each post.

## Disclaimer

The instructions contained in this manual are provided for informational purposes only, and should not be taken as an exhaustive list of precautions and considerations to take into account when installing Avimore fencing products.

Environmental conditions, local laws and regulations, and specific fence components and configurations may necessitate deviation from the instructions contained in this manual.

Fence installation should always be conducted by or under the supervision of an experienced and responsible professional.



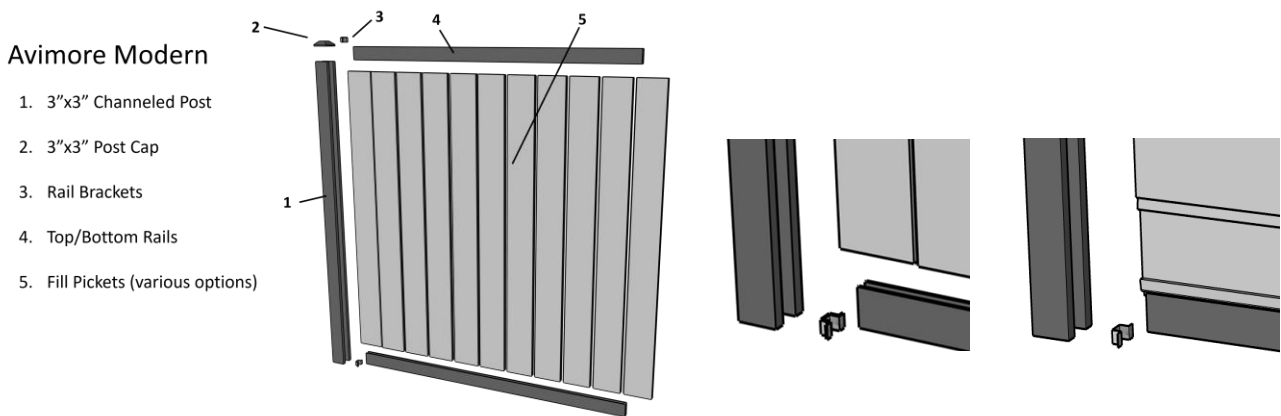
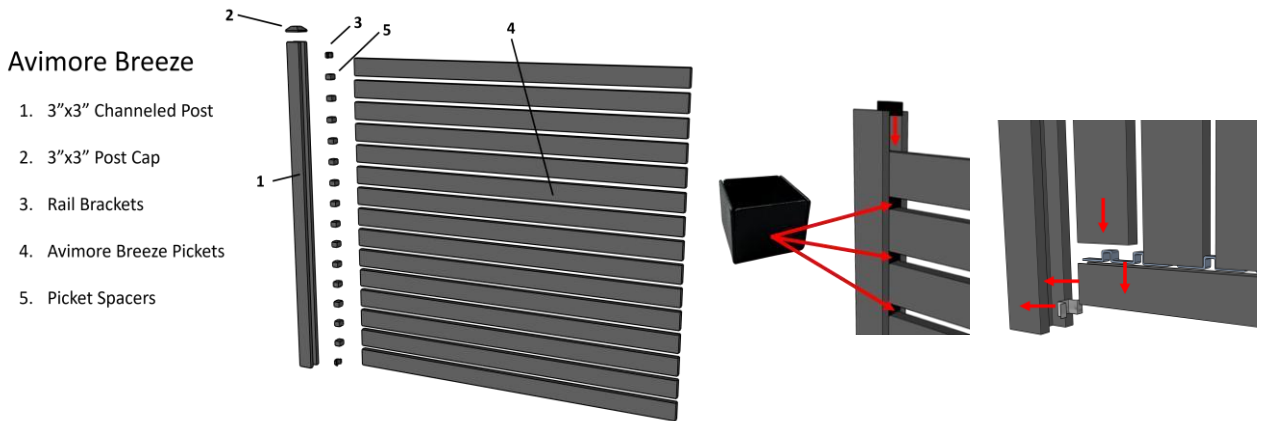
Follow all local building and zoning codes when installing Avimore fence. Do not install Avimore fence in an area where you do not have permission to do so.

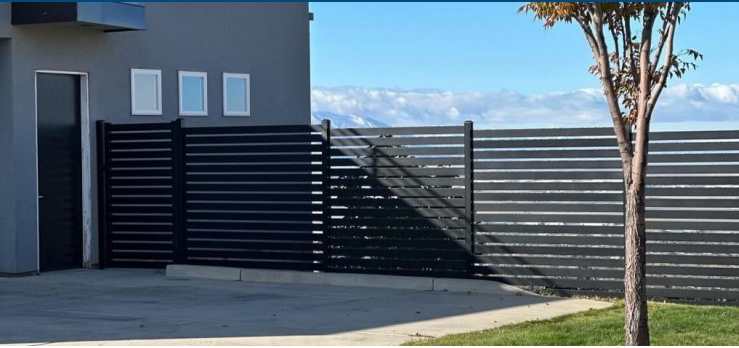
## Table of Contents

- 3 Quick Reference – Installation**
- 4 Disclaimer**
- 6 Step 1.1: Basic styles and fill options**
- 8 Step 1.2: Post types and components**
- 9 Step 1.3: Determining body height and rail or picket width**
- 10 Step 1.4: Determining post height**
- 11 Steps 2 and 3: Space posts and dig holes**
- 11 Step 4: Cut posts and install exterior u-channel**
- 12 Step 5.1: Position posts**
- 12 Step 5.2: Verify post spacing**
- 12 Step 6: Install bottom rail or picket**
- 13 Step 7: Add remaining fill material and top picket or rail**
- 14 Step 8: Install gates**
- 14 Step 9: Install gap fillers and post caps**
- 15 Appendix: Avimore Parts List**

## Step 1.1: Basic styles and fill options

The frame + fill design of Avimore fence allows for a wide variety of aesthetic configurations. The two main styles are Avimore Breeze, which uses Avimore Breeze aluminum pickets between posts, and Avimore Modern, which uses pocket rails between posts to hold a horizontal or vertical privacy infill.





**Horizontal Breeze**

3.5" Aluminum Pickets with 0.5", 1", or 1 3/8" spacing, full privacy or a mix of the above.



**Vertical Breeze**

4" Aluminum Pickets Spacing available in increments of 13/16", 3 1/4" or full privacy.



**Avimore Shadow**

Aluminum Pocket Rails with vertical or horizontal asymmetrical Composite T&G Slats



**Modern Elite**

Aluminum Pocket Rails with vertical or horizontal Composite T&G Slats



**Modern Naturals**

Aluminum Pocket Rails with vertical or



**Modern w/ Vinyl Fill**

Aluminum Pocket Rails with vertical or

horizontal Cedar T&G Slats

horizontal Vinyl T&G Slats

### Step 1.2: Post types and components

There are two types of Avimore posts – aluminum channeled line posts, and steel gate posts. Both have a profile of 3"x3". Steel gate posts will be needed on either side of any gate, and anywhere else a smooth blank post is required. Line posts can be used anywhere else. Hang gates only from in-ground posts.



Avimore Line Posts



Steel Gate Posts

Line posts are converted to end posts by adding gap filler to one side, and to corner or T-posts by adding u-channel to the smooth side(s) in addition to gap filler on any unused sides. If an angle is needed other than 90° you can use an Adjustable angle bracket to accommodate 15° to 60° of adjustment. Gate posts can be converted to line, corner, or T-posts by screwing on exterior



posts can be converted to line, corner, or T-posts by screwing on exterior

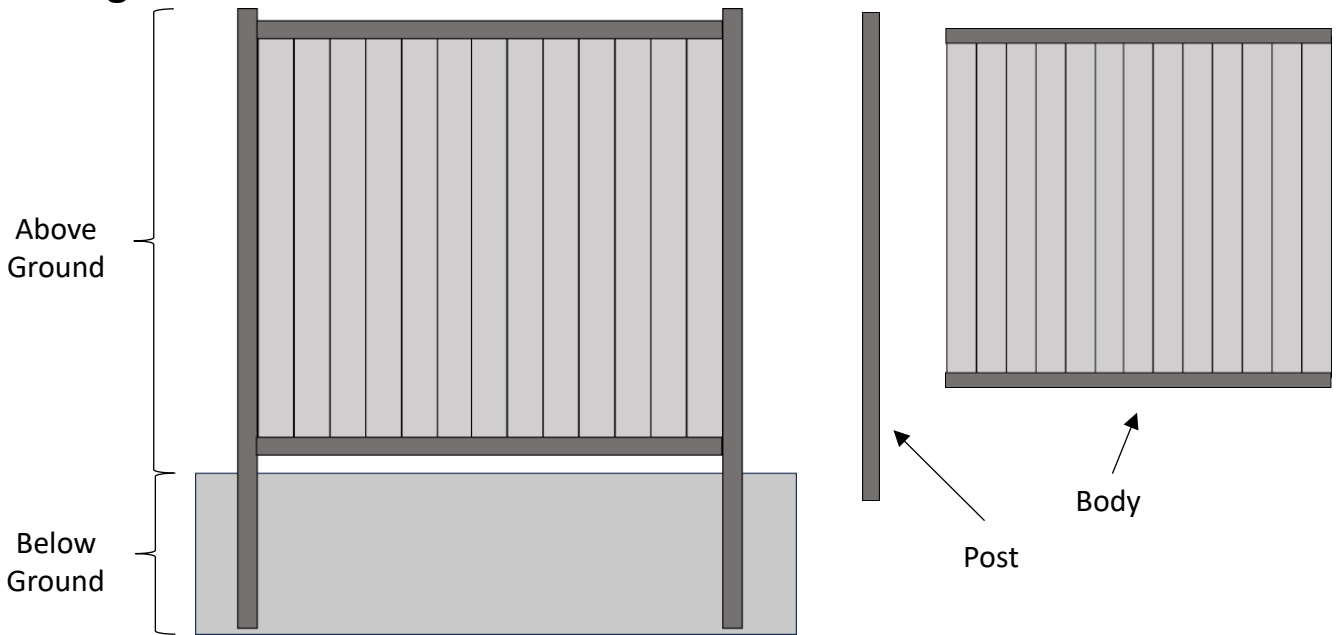


**For Vertically Oriented Pickets:**

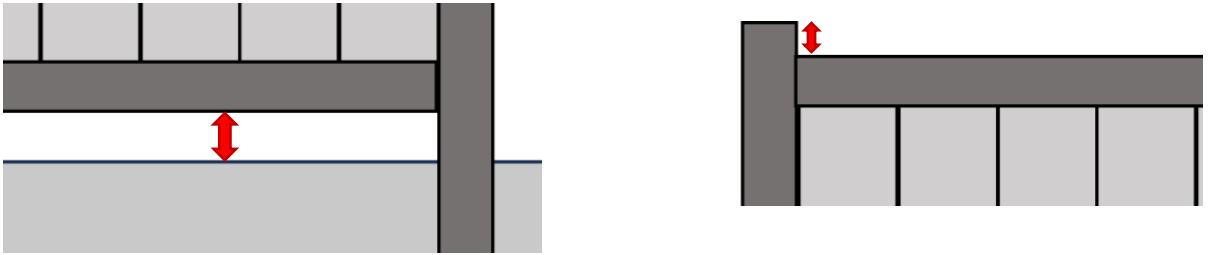
Avimore Modern Pocket Rails for vertically-oriented slats or Breeze pickets are available in lengths of 64½", 72", and 96", Body height is equal to picket length plus 3". For standard 64" vertically-oriented pickets the body height will be 67".

### Step 1.4: Determining post height

All Avimore posts have dimensions of 3"x3" square. Posts are sold in heights of up to 12'. Plan on keeping at least 25% of the post secured below ground for in-ground posts, and ensure that your above-ground post height is greater than the desired body height of the fence.



Bear in mind that the difference between the body height and the above-ground post height will determine the amount of spacing available between the body and the ground or post top.



## Steps 2 and 3: Space posts and dig holes

To calculate center-to-center post spacing, begin with the pocket rail or

Breeze picket

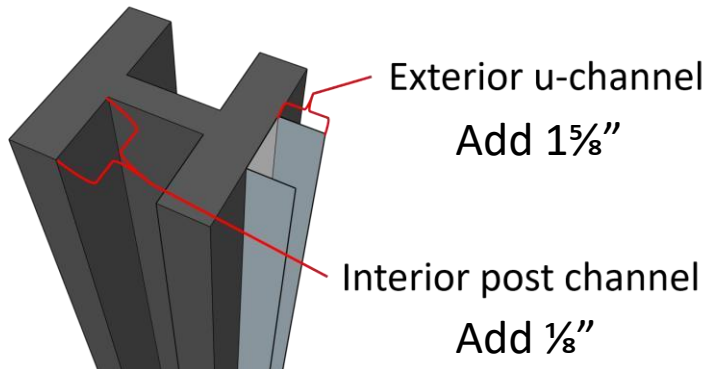
length, and add  $\frac{1}{8}$ "

for each interior

post channel

connection, and

$1\frac{5}{8}$ " for each



exterior u-channel connection. Exterior u-channel will be

needed for one side of each corner post or T post, and any side of a steel gate post connected to a non-gate section.

Pictured: Corner Post

- 1 line post
- 1 u-channel
- 1 gap filler

Dig post holes with a diameter of approximately 8", to a depth of at least 25% of the total post height. For example, a 96" post would require a depth of at least 24". Bell out bottom of holes.

#### **Step 4: Cut posts and install exterior u-channel**

Ensure all posts are the correct height, and cut any posts down as needed. Secure external u-channels to a flush side of each post where needed, using at least 3 self-tapping screws for each u-channel. Ensure not to drill directly into the center beam. Corner and T posts will each need one u-channel, and steel gate posts will need one u-channel for each side supporting a non-gate fence section.

#### **Step 5.1: Position posts**

Insert each post in its hole and fill the hole around the post with concrete mix up to 2"-4" below grade. Tamp concrete to reduce air pockets, and level and square the post.

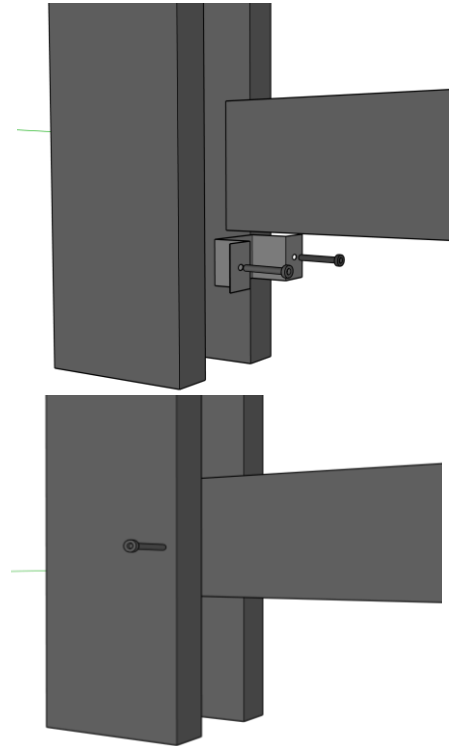
#### **Step 5.2: Verify post spacing**

Before fully allowing posts to set, slide a rail or Breeze picket of the correct section length into the post channels on either side to ensure the posts are set to the correct spacing. Ensure that no less than ¼" of the rail or Breeze picket enters the channel on either side. Spacing between gate posts should be approximately 2" more than the width of the gate itself.

**Step 6: Install bottom rail or picket**

**Option 1:** Affix a 2-hole winged bracket to a post with 2 screws, placing the top of the bracket no higher than the space desired between the bottom rail or picket and the ground. Slide the bottom rail or picket into the channel to rest on the bracket.

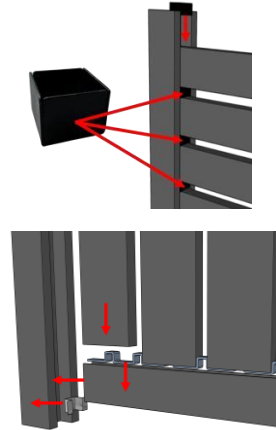
**Option 2:** Screw bottom rail or picket directly into the post at the desired height, avoiding center beam.



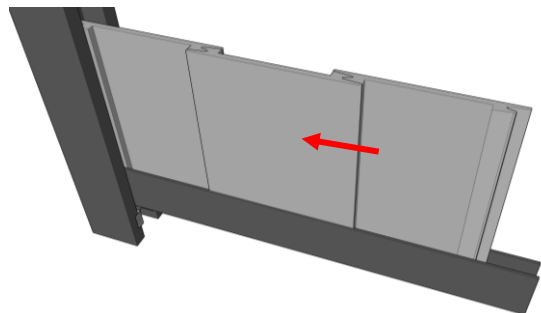
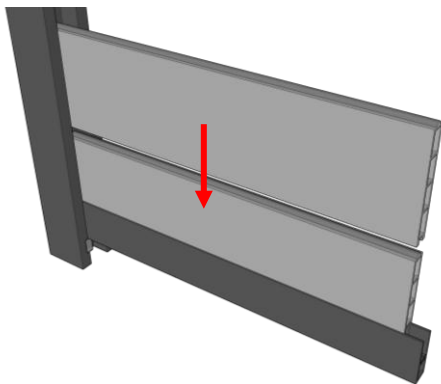
**Step 7: Add remaining fill material and top picket or rail**

Once the bottom picket (for Avimore Breeze) or the bottom rail (for Avimore Modern) is secured, the rest of the material should slide easily into the post channel above it.

For Horizontal Breeze slide spacers into channel between pickets (for U-Chanel use the one-hole brackets as spacers). For Vertical Breeze use the strap to separate pickets at even lengths (each picket should cover only one raised section of the strap).



For all tongue and groove pickets slide each in one at a time with the tongue facing up or with the tongue facing out, and then add other pickets. Depending on your chosen dimensions, you may need to rip cut one of the pickets to fit.



Slide top Breeze picket or pocket rail into channel and secure in the same way as the bottom one to reduce fill movement.

### **Step 8: Install gates**

Ensure that the space between gate posts is approximately 2" more than the width of the gate itself. If spacing is too narrow, the gate can be disassembled to cut the rails and pickets to a smaller size.

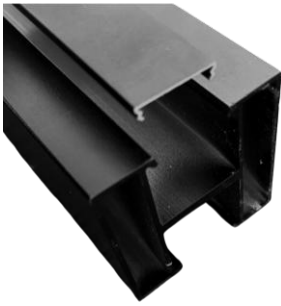
Determine which post to hinge the gate from – NEVER hinge a gate from a concrete-mounted post – and which direction the gate post will swing. Attach hinges to gate frame in line with desired orientation.

Determine desired gate alignment and block up gate square with fence. Attach hinges to gate post and then install latch on opposite side from hinges. Install cable kit if applicable. Adjust tension in hinges as preferred.





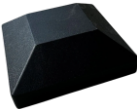

### **Step 9: Install gap fillers and post caps**





Cut gap fillers to proper height to install in any unused internal post channels on corner and end posts.

Install caps on posts by pressing them down over the top of each post.


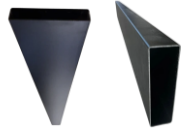

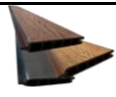





## Appendix – Avimore Parts List

Part	Picture	Details	Used with:
<b>Aluminum Channeled Post</b>		<ul style="list-style-type: none"> <li>• Max 12' Length • 3"x3" Outer Dim.</li> <li>• 1<sup>3</sup>/<sub>16</sub>"x1<sup>7</sup>/<sub>16</sub>" Channel</li> </ul>	<ul style="list-style-type: none"> <li>• Avimore Breeze</li> <li>• Avimore Modern</li> </ul>
<b>Steel Gate Post</b>		<ul style="list-style-type: none"> <li>• Max 12' Length</li> <li>• 3"x3" Outer Dim.</li> </ul>	<ul style="list-style-type: none"> <li>• Avimore Breeze</li> <li>• Avimore Modern</li> </ul>
<b>Gap Filler</b>		<ul style="list-style-type: none"> <li>• Max 80" Length</li> <li>• 1" Width</li> </ul>	<ul style="list-style-type: none"> <li>• Avimore Breeze</li> <li>• Avimore Modern</li> </ul>
<b>U-Channel</b>		<ul style="list-style-type: none"> <li>• 24" or 48" tall</li> <li>• 1.25"x1.25" Outer Dimensions</li> </ul>	<ul style="list-style-type: none"> <li>• Avimore Breeze</li> <li>• Avimore Modern</li> </ul>
<b>External Post Cap</b>		<ul style="list-style-type: none"> <li>• Fits 3"x3" Posts</li> </ul>	<ul style="list-style-type: none"> <li>• Avimore Breeze</li> <li>• Avimore Modern</li> </ul>
<b>Steel Ground Sleeve</b>		<ul style="list-style-type: none"> <li>• Fits 3"x3" Posts</li> <li>• 24" Deep</li> </ul>	<ul style="list-style-type: none"> <li>• Avimore Breeze</li> <li>• Avimore Modern</li> </ul>

<b>Avimore Mount Towers</b>		<ul style="list-style-type: none"> <li>• 5"x5"</li> <li>• Steel Plated Towers</li> <li>• Trim Rings available</li> </ul>	<ul style="list-style-type: none"> <li>• Avimore Breeze</li> <li>• Avimore Modern</li> </ul>
<b>Avimore Modern Pocket Rail</b>		<ul style="list-style-type: none"> <li>• 64.5", 72", or 96"</li> <li>• 1"x2.75" exterior</li> <li>• 7/8"x1.25" channel</li> </ul>	<ul style="list-style-type: none"> <li>• Avimore Modern</li> </ul>
<b>2-Hole Rail Bracket</b>		<ul style="list-style-type: none"> <li>• Fits channeled post above/below Rails or Breeze Pickets</li> </ul>	<ul style="list-style-type: none"> <li>• Avimore Breeze</li> <li>• Avimore Modern</li> </ul>
<b>Avimore Breeze Vertical Strap</b>		<ul style="list-style-type: none"> <li>• 7/8"x 72" or 7/8"x 96"</li> <li>Fits channel of rail</li> </ul>	<ul style="list-style-type: none"> <li>• Avimore Breeze Vertical</li> </ul>

## Appendix – Avimore Parts List

Part	Picture	Details	Used with:
<b>1-Hole U-Channel Bracket</b>		<ul style="list-style-type: none"> <li>• 1/2", 1", or 1 3/8"</li> <li>• Spaces Breeze Pickets in U-Channel</li> </ul>	<ul style="list-style-type: none"> <li>• Avimore Breeze</li> </ul>
<b>Avimore Breeze Picket</b>		<ul style="list-style-type: none"> <li>• 72" &amp; 96" Horizontal</li> <li>• 72" &amp; 96" Vertical</li> <li>• 1" x 3 1/2" Horizontal</li> <li>• 7/8" x 4" Vertical</li> </ul>	<ul style="list-style-type: none"> <li>• Avimore Breeze</li> </ul>
<b>Picket Spacer</b>		<ul style="list-style-type: none"> <li>• 1/2", 1", or 1 3/8"</li> <li>• Spaces pickets in Post Channel</li> </ul>	<ul style="list-style-type: none"> <li>• Avimore Breeze</li> </ul>
<b>Avimore Elite Composite Slat</b>		<ul style="list-style-type: none"> <li>• 7/8" x 5.5" x 64"</li> <li>Tongue &amp; Groove</li> </ul>	<ul style="list-style-type: none"> <li>• Avimore Modern Elite</li> </ul>
<b>Vinyl Fill Slat</b>		<ul style="list-style-type: none"> <li>• 7/8" x 6" x 64"</li> <li>Tongue &amp; Groove</li> </ul>	<ul style="list-style-type: none"> <li>• Avimore Modern w/ Vinyl Fill</li> </ul>

<p><b>Adjustable Angle Bracket</b></p>		<ul style="list-style-type: none"> <li>• 72" or 96" tall</li> <li>• Fits in Post Channel</li> <li>• 15° to 60° adjustment</li> </ul>	<ul style="list-style-type: none"> <li>• Avimore Breeze</li> <li>• Avimore Modern</li> </ul>
<p><b>Avimore Naturals Cedar Slat</b></p>		<ul style="list-style-type: none"> <li>• 7/8" x 5" x 64"</li> <li>• Tongue &amp; Groove</li> </ul>	<ul style="list-style-type: none"> <li>• Avimore Modern Naturals</li> </ul>
<p><b>Avimore Gate Upright</b></p>		<ul style="list-style-type: none"> <li>• 72' or 96" Length</li> <li>• 2" x 3" External Dim.</li> <li>• 1" x 1<sup>15/16</sup>" Int. Dim</li> </ul>	<ul style="list-style-type: none"> <li>• Avimore Breeze</li> <li>• Avimore Modern</li> </ul>
<p><b>Upright Cap</b></p>		<ul style="list-style-type: none"> <li>• Fits 2"x3" Uprights</li> </ul>	<ul style="list-style-type: none"> <li>• Avimore Breeze</li> <li>• Avimore Modern</li> </ul>
<p><b>Avimore Shadow Composite Slat</b></p>		<ul style="list-style-type: none"> <li>• 7/8" x 7 7/8" x 64"</li> </ul>	<ul style="list-style-type: none"> <li>• Avimore Shadow</li> </ul>

A modern grey composite fence with black posts and a curved wooden walkway in the background. The fence is made of horizontal grey planks with a wood grain texture. The walkway is made of dark wood and has a curved railing. In the background, there is a house with light brown horizontal siding and a window with white trim. There are also some green bushes and trees.

[fenceshopidaho.com](http://fenceshopidaho.com)

(+1) 208-423-2600