

Royal Guard

By  ALLIANCE
FENCE & SUPPLY

Installation Guide



INSTALL

Quick Reference - Installation

Familiarize Yourself With Royal Guard

- Panel style and height
- Post types and bracket options
- Proper post spacing (94 ½" Face to Face)

Space & Mark Holes

- Mark post centers along fence line
- Identify gate locations before digging

Dig Holes

- 8"–12" diameter
- 24"–30" depth (or below frost line)

Set Posts

- Place posts on layout marks

- Level and plumb posts
- Fill holes with concrete and recheck alignment

Install Brackets

- Select correct bracket style (Universal, Line, Flat-Mount, Swivel)
- Position brackets at intended rail height

Install First Panel

- Insert panel rails into brackets
- Set final height (typically 2" above grade)
- Hand-tighten hardware

Trim Panels If Required

- Cut rails equally from both ends
- Smooth edges and apply touch-up paint

Install Remaining Panels

- Continue panel-by-panel
- Adjust alignment before

tightening hardware • Rack panels as needed to follow grade

Install Gates

- Hang gate, install hinges and latch
- Confirm smooth swing and alignment

Disclaimer

The instructions contained in this manual are provided for informational purposes only, and should not be taken as an exhaustive list of precautions and considerations to take into account when installing Royal Guard fencing products.

Environmental conditions, local laws and regulations, and specific fence components and configurations may necessitate deviation from the instructions contained in this manual.

Fence installation should always be conducted by or under the supervision of an experienced and responsible professional.

Follow all local building and zoning codes when installing Royal Guard fence. Do not install Royal Guard fence in an area where you do not have permission to do so.

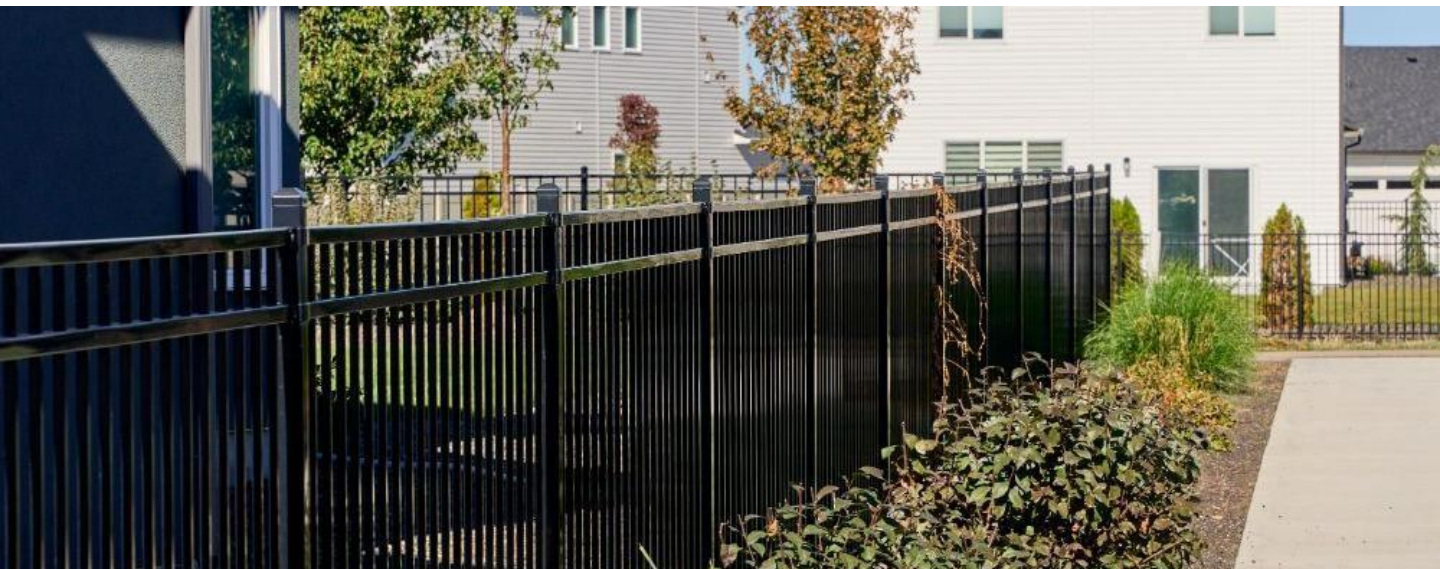


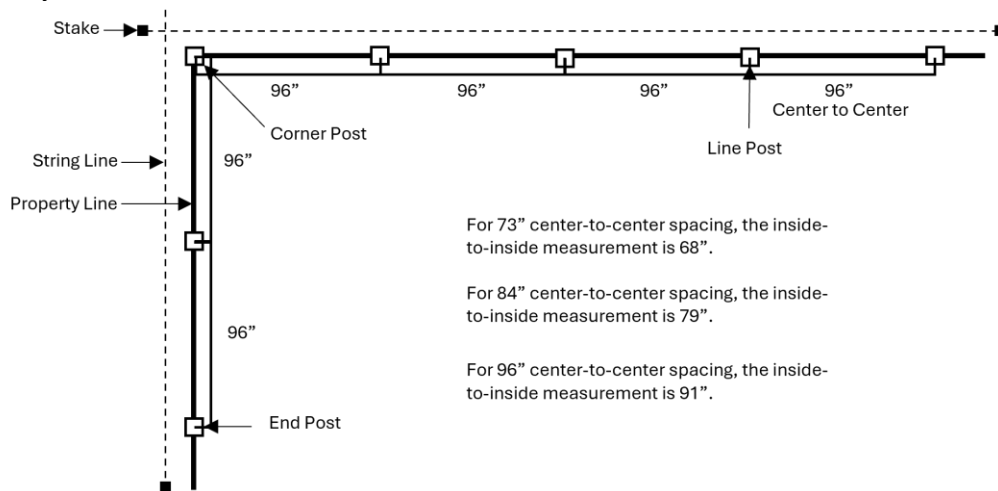
Table of Contents

- 3 Quick Reference – Installation**
- 4 Disclaimer**
- 6 Step 1: Fence Line Layout & Post Spacing**
- 7 Step 2: Dig Post Holes**
- 7 Step 3: Set Posts**
- 8 Step 4: Bracket Types & Installation**
- 10 Step 5: Install Fence Panels**
- 10 Step 6: Installing on Slopes**
- 11 Step 7: Trimming Panels**
- 12 Step 8: Gate Installation**

Step 1: Fence Line Layout & Post Spacing

1. Establish the fence line with stakes or marking paint.
2. Run a tight string line at ground level to create a straight reference.
3. Mark post face to face every 94 1/2" (Inside to Inside).
4. Identify and mark gate openings before digging.

Consistent spacing ensures panels fit properly into brackets and rack correctly.



Royal Guard Components:

- **Posts:** Available in residential 2"x2", commercial 2.5"x2.5", and industrial 3"x3" grades.
- **Panels:** Ornamental steel sections that fit between posts, offered in 4 styles Flat Top, Spear Top, Curve Top, and Open Top. Heights range from 3' to 8' with standard 8' width, customizable.
- **Brackets:** Essential for secure panel attachment without welding. Types include Line Brackets, Flush End Brackets, Swivel Brackets, and Wrap End Brackets. Line and Wrap Brackets must match both post and panel grades, whereas flush end and swivel brackets only need to match panel grades. Brackets usually are attached to panel at each rail.
- **Screws:** Used to firmly attach brackets to posts and panels, ensuring stability and security of the fence components. Screws are included with brackets.

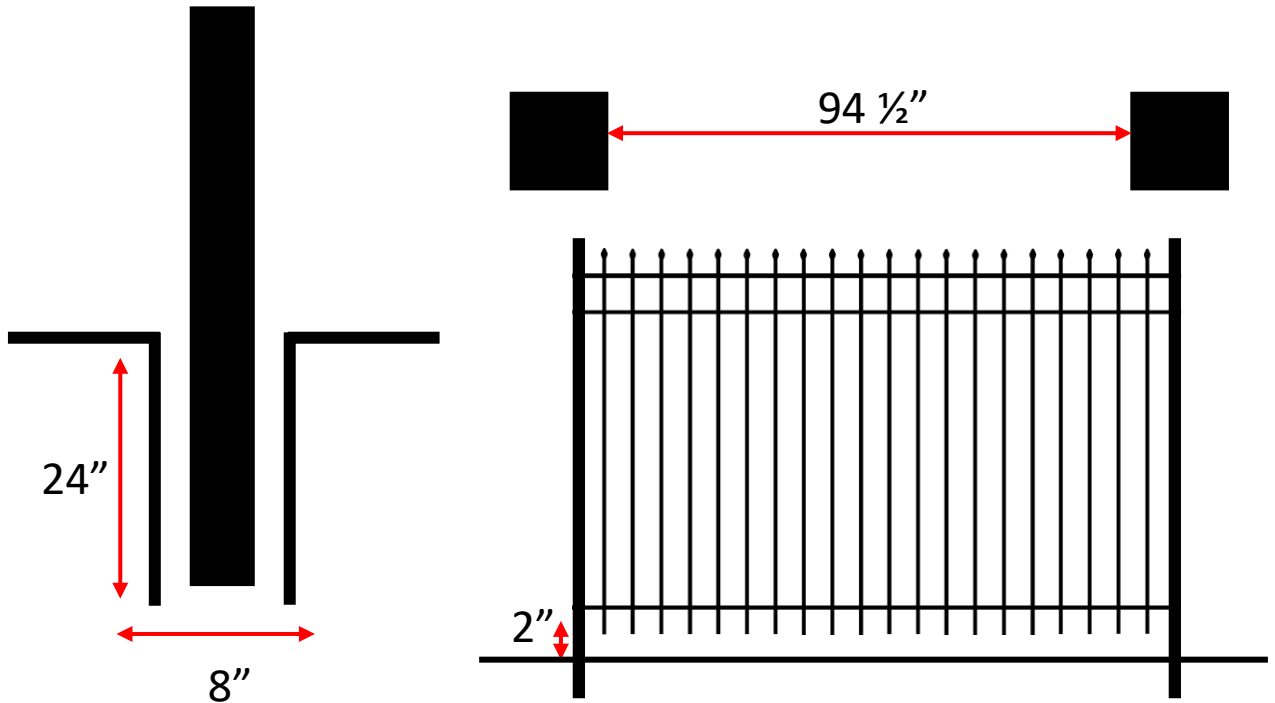
- **Post Caps:** Available in sizes 2"x2", 2.5"x2.5", 3"x3" corresponding to post dimensions.

Step 2: Dig Post Holes

Royal Guard standards recommend:

- Depth: 24"–30" or below frost line
- Diameter: Minimum 8"

Local soil, grade, or climate may require deeper or wider holes.



Step 3: Set Posts

1. Place posts in holes and align with the string line.
2. Use a level to plumb both sides of the post.
3. Fill hole with concrete up to 2–4" below grade.
4. Confirm posts remain plumb while concrete sets.
5. Follow Royal Guard drawings for proper height above grade. If installing on a slope, maintain post-to-post spacing at grade.

Step 4: Bracket Types & Installation

Royal Guard uses a versatile bracket system to accommodate straight runs, transitions, angles, and mounting to structures. The four bracket styles are outlined below, along with their recommended uses and installation steps.

4.1 Line Brackets (Two-Piece)

Designed for intermediate line posts where two panels meet on a single post.

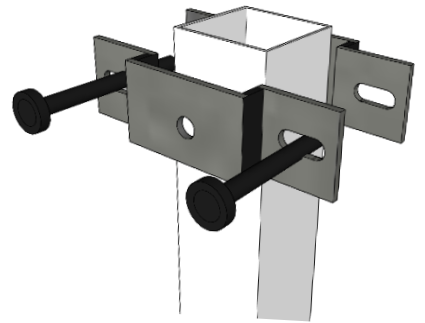
- Clamps securely around the post and rail
- Provides a clean, centered connection for both adjoining panels

To Install:

Position the first half of the bracket around the post and rail.

Place the second half on the opposite side.

Tighten the carriage bolt and nut until the bracket is fully secured.



4.2 Flat-Mount Brackets

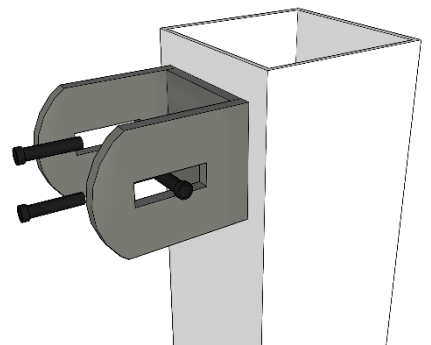
Used when attaching a panel to a flat surface such as a wall, column, or structure.

- Ideal for terminations where a post cannot be used
- Provides a stable mounting point for the rail end

To Install:

Measure and mark the correct bracket height on the wall or surface.

Attach the bracket using self-drilling screws. Align the panel rail with the bracket and secure it using the carriage bolt.



4.3 Swivel Brackets

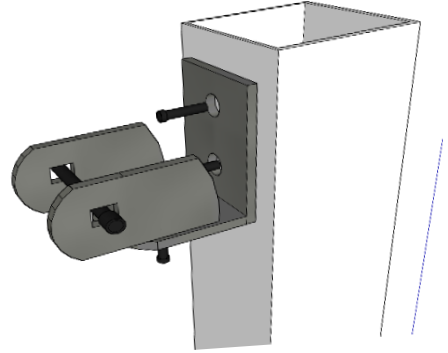
Allows panel installation at horizontal angles up to 45°, making them ideal for curves, turns, or irregular property lines.

- Hinged design pivots to match the required angle
- Maintains secure connection without cutting or modifying the rail

To Install:
Identify the angle needed for the panel connection. Adjust the swivel bracket to the desired angle and tighten the set screw.

Mount the bracket to the post using self-drilling screws.

Attach the panel rail with the carriage bolt and nut.



4.4 Wrap Around Brackets

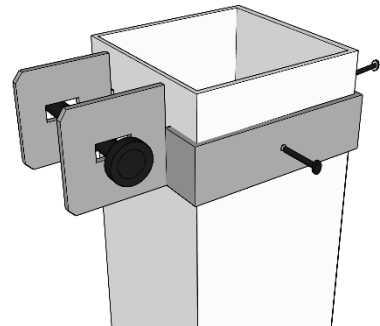
Used to fully wrap the post can be used as a an end bracket or line bracket if in sets of two. • Provides full post contact for maximum strength

- Allows fine height adjustment during installation
- Offsets automatically so panel rails align cleanly across posts

To Install:
Slide the bracket onto the post at the correct rail height.

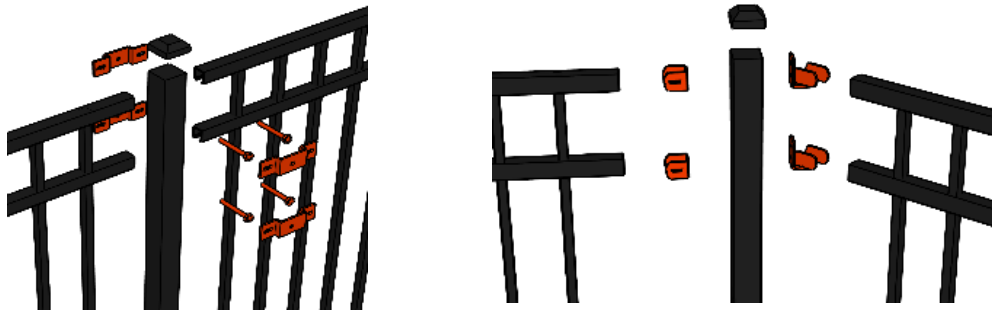
Align the bracket with the panel rail.

Secure the rail using the carriage bolt and hex nut.



Step 5: Install Fence Panels

1. Position the panel so rails align with installed brackets.
2. Insert panel rails into brackets.
3. Hand-tighten hardware to allow adjustments.
4. Adjust final height—typically 2" above grade.
5. Confirm equal spacing between the post and nearest picket.
6. Tighten all bracket hardware once aligned.



Step 6: Installing on Slopes (Racking Panels)

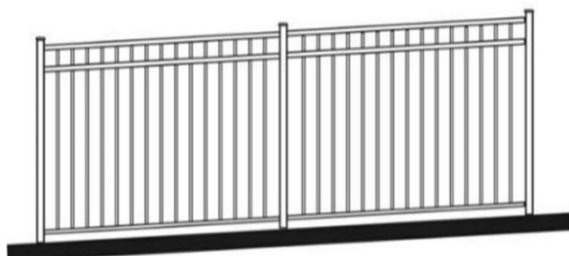
Royal Guard panels are fully rackable for smooth grade changes.

Two methods:

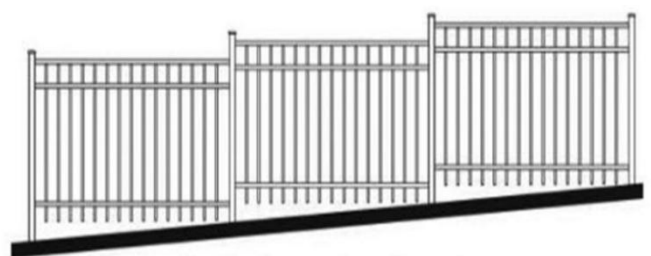
Option 1 — Pull Uphill

With the panel resting on the ground, pull uphill until rails are parallel with the slope.

Option 2 — Install Uphill Side First



Fully Rackable Panels



Stair-Stepping Panels

1. Attach upper rail to the uphill post.
2. Rotate and pull the downhill rail into the lower brackets.

Step 7: Trimming Panels

Panels must be trimmed if inside post spacing is less than 94 ½”.

Example:

Inside spacing = 91”

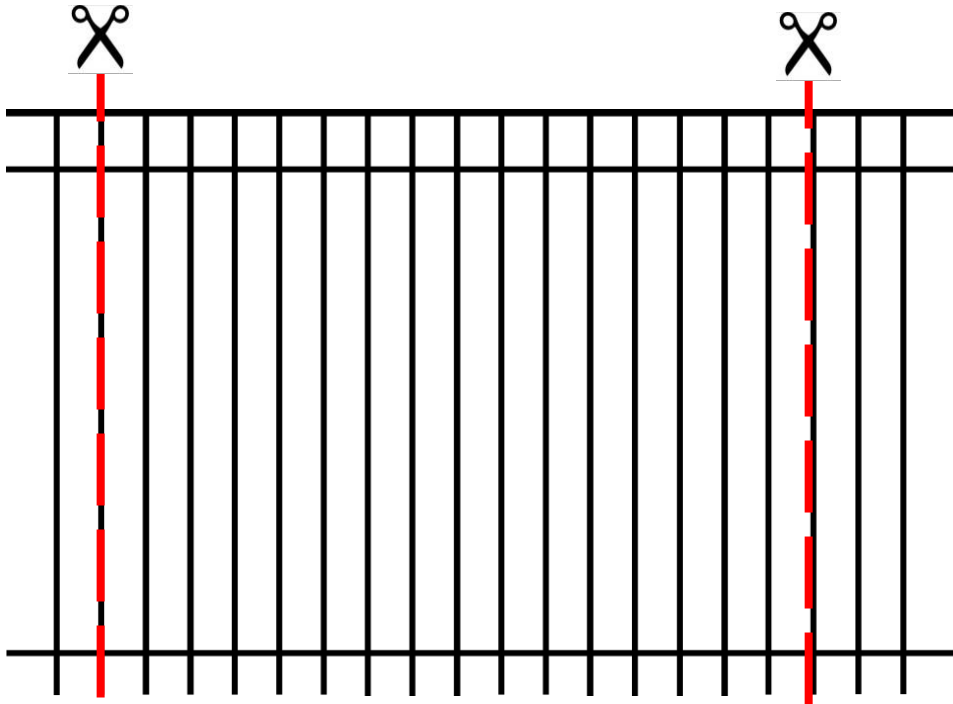
Panel width = 94”

Difference = 3”

Add ¼” per bracket → Trim 3 ½” total Trim
equally from both ends for symmetry.

Trimming Steps:

1. Mark cut lines using masking tape.
2. Cut through rails using a reciprocating saw or hacksaw.
3. File edges and remove metal shavings.
4. Drill new bracket holes centered on trimmed rails.
5. Apply primer and touch-up paint to exposed steel.
6. Allow paint to dry before installation



Step 8: Gate Installation

Gate Opening Width

Gate opening should be approximately 2" wider than the gate itself.

Setting Gate Posts

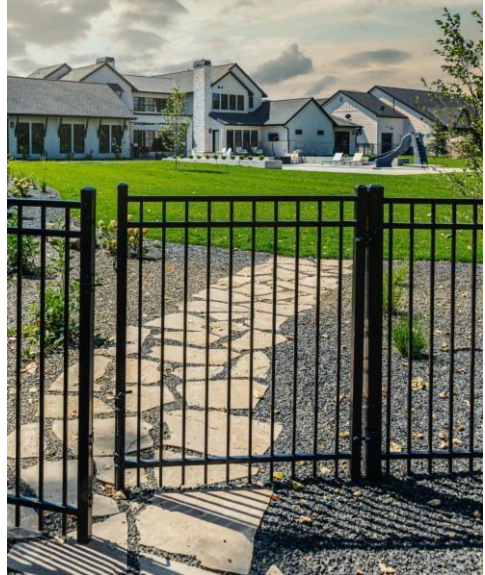
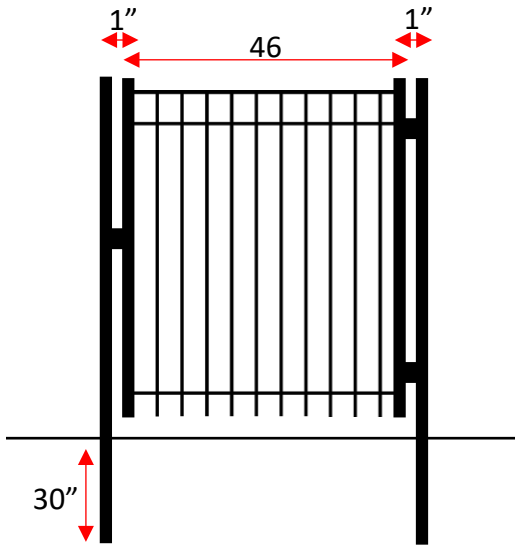
1. Dig deeper holes: 30"–36".
2. Set posts in concrete only.
3. Ensure posts are perfectly plumb.
4. Allow concrete to cure before hanging the gate.

Hanging the Gate




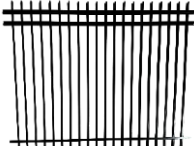
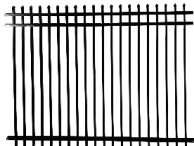
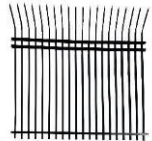
1. Attach hinges to the gate frame.
2. Support gate at final height.
3. Secure hinges to gate post.
4. Test that the gate swings freely without dragging.


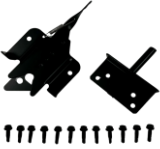
Latch Installation

1. Install latch hardware on the opposite post.
2. Confirm smooth, secure closure.
3. For double gates, install a center stop or drop rod.

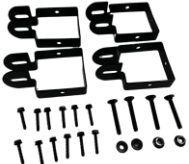





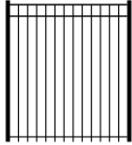

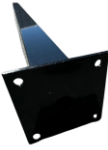
Appendix – Royal Guard Parts List

Part	Picture	Details
Steel Post		<ul style="list-style-type: none"> • 2" x 2" Residential 2.5" x 2.5" Commercial 3" x 3" Industrial • Height 40" 44" 46" 50" 72" 84" 96" 108" 132" 144"
Steel Post Cap		<ul style="list-style-type: none"> • Available in • 2" x 2" Residential • 2.5" x 2.5" Commercial • 3" x 3" Industrial
Royal Flat Top Panel		<ul style="list-style-type: none"> • Grades: Residential, Commercial, Industrial • Panel height: 4', 5', 6', 8' • Panel width: 8' or cut to size
Imperial Open Top Panel		<ul style="list-style-type: none"> • Grades: Residential, Commercial, Industrial • Panel height: 4', 5', 6', 8' • Panel width: 8' or cut to size
Regal Spear Top Panel		<ul style="list-style-type: none"> • Grades: Residential, Commercial, Industrial • Panel height: 4', 5', 6', 8' • Panel width: 8' or cut to size
Guardian Curve Top Panel		<ul style="list-style-type: none"> • Grades: Residential, Commercial, Industrial • Panel height: 4', 5', 6', 8' • Panel width: 8' or cut to size

<p>Ornamental Wrap Hinge</p>		<ul style="list-style-type: none"> • Gate fitting: 2" wide, about 2" long • Post fitting: About 2.5" x 2.5"
<p>Ornamental Mini Latch</p>		<ul style="list-style-type: none"> • Fits all sizes of Royal Guard Posts.

Appendix – Royal Guard Parts List

Part	Picture	Details
<p>Wrap Around Bracket</p>		<ul style="list-style-type: none"> • Must match both post and panel grade • 3 per end post • Grades: Residential, Commercial, Industrial
<p>Flush End Bracket</p>		<ul style="list-style-type: none"> • Must match panel grade • 3 per end post • 6 per corner post • Grades: Residential, Commercial, Industrial
<p>Horizontal Swivel Bracket</p>		<ul style="list-style-type: none"> • Must match panel grade • 6 per corner post • Grades: Residential, Commercial, Industrial

<p>Line Bracket</p>		<ul style="list-style-type: none"> • Must match both post and panel grade • 3 sets per line post • Grades: Residential, Commercial, Industrial
<p>Royal Guard Gates</p>		<ul style="list-style-type: none"> • 4' 5' 6' Heights • 4' 5' 6' Width • Available in Residential and Commercial
<p>Trim Ring</p>		<ul style="list-style-type: none"> • 2" x 2" Residential 2.5" x 2.5" Commercial 3" x 3" Industrial
<p>Plated Steel Post</p>		<ul style="list-style-type: none"> • 40" 44" 46" 50" 72" Hight • 2" x 2" Residential 2.5" x 2.5" Commercial 3" x 3" Industrial



fenceshopidaho.com

(+1) 208-423-2600