

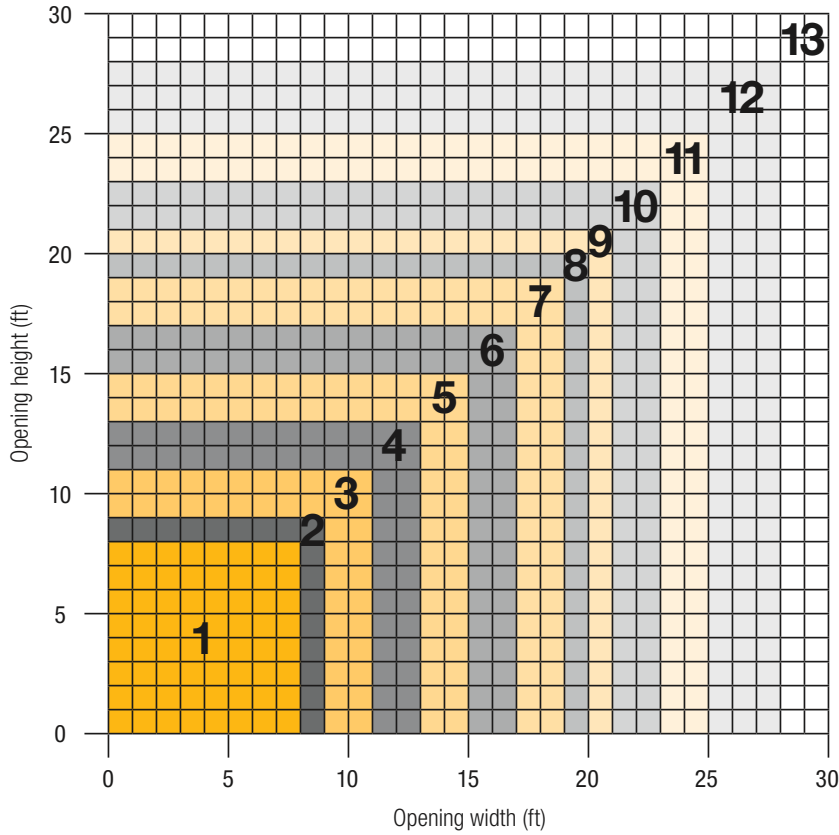
# THERMISER®

MODEL CESD20



## MEASURE THE WIDTH AND HEIGHT OF THE OPENING

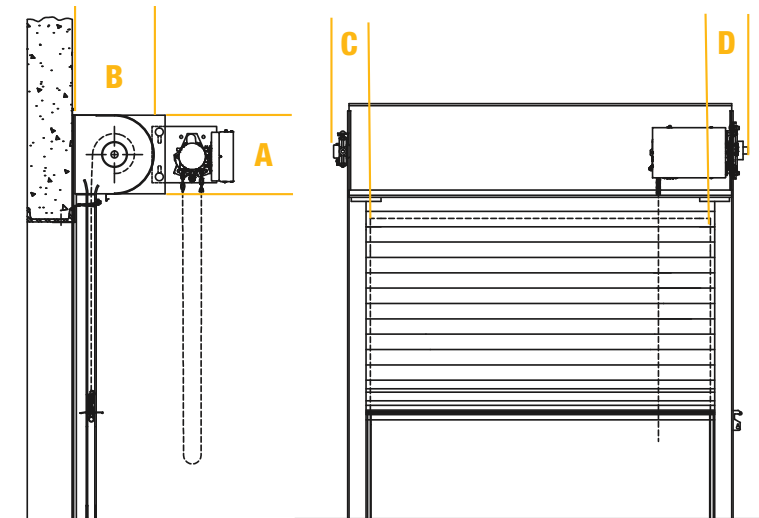
### DOOR SIZE AND AREA



### COMPONENT DIMENSIONS

Reference the zone number to view component dimensions for tube motorized doors.

1	17	19	5	9
2	18	20	5	9
3	19	21	5	9
4	20	22	7	9
5	21	23	7	11
6	22	24	7	11
7	23	25	7	11
8	24	26	7	11
9	25	27	7	11
10	26	28	7	11
11	27	29	7	11
12	29	31	7	11
13	31	33	7	11
Zone	A	B	C	D



The dimensions featured on this sheet are provided as a guide.

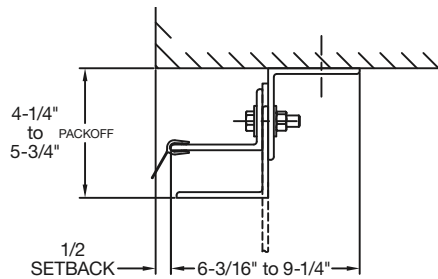
# INSULATED ROLLING DOOR

## THERMISER®

### GUIDE CONSTRUCTION OPTIONS

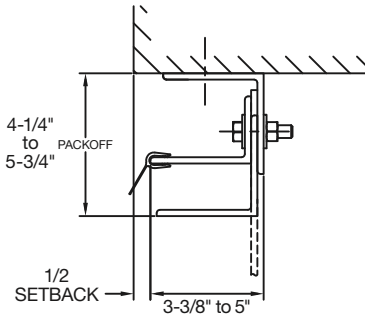
#### FACE OF WALL Z

Typically used with masonry wall construction, guides are mounted to the interior side of the wall.



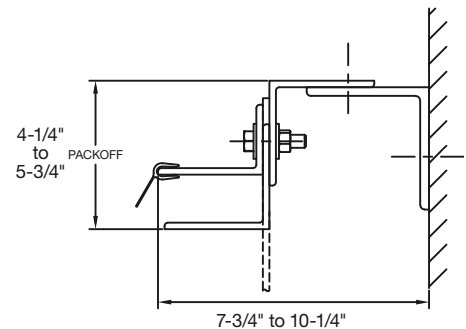
#### FACE OF WALL E

Typically used with steel jambs, guides are mounted to the interior side of the wall.



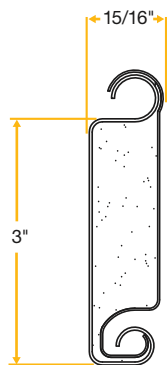
#### BETWEEN JAMBS

Used when side clearance is minimal, guides are mounted to the inside of the jamb.

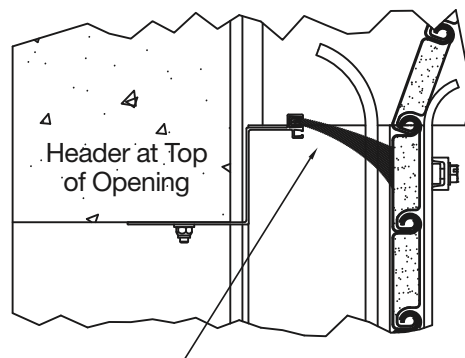


### CURTAIN DESIGN

Insulated Slat



### LINTEL SEAL BRUSH



Single Lintel Seal Brush Contacting the Door Curtain

R-value of 8.0

U-value of .125

Calculated using the ASHRAE Handbook of Fundamentals

The dimensions featured on this sheet are provided as a guide.

### CUSTOM-DESIGNED SOLUTIONS

Contact our experienced Architectural Design Support Team for help in customizing our products to fit your specific application at [www.architectdoorhelp.com](http://www.architectdoorhelp.com).



For more information on these and other Clopay products, visit [clopaycommercial.com](http://clopaycommercial.com). Architects and specifiers, visit [architectdoorhelp.com](http://architectdoorhelp.com).



©2024 Clopay Corporation. All rights reserved.

CMDC-THERMISERTD-23\_REV0924