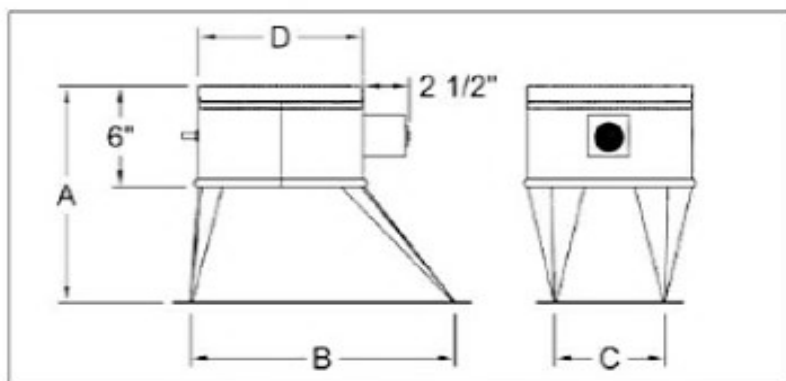


Product Data Sheet



Description

Danbury Winair High Efficiency Take Off with heavy duty standoff is used for low & medium pressure applications.

Danbury Winair High Efficiency Take Off with heavy duty standoff can be used for high pressure application (up to 10" W.G.) as a low-leakage fitting due to its welded construction.

Standard Construction

- Collar - formed from 24 GA ASTM A-653 G90 material
- Body - formed from 24 GA ASTM A-653 G90 material
- 1/8" x 1" Polyethylene "High Density" Gasket
- 20 GA Heavy Duty Damper Blade for 10" and larger
- 22 GA Heavy Duty Damper Blade for 6"- 8"
- Heavy-duty standoff
- 3/8" aluminum square rod
- Super snap-in bushing

D	B X C	A
6" Round	12"x 6"	11.75"
7" Round	12"x 6"	11.75"
8" Round	12"x 6"	11.75"
9" Round	15"x 6"	12.75"
10" Round	16"x 6.75"	12.75"
12" Round	18"x 8.5"	12.75"
14" Round	20"x 9.5"	12.75"
16" Round	22"x 14"	13.75"
18" Round	22"x 16"	13.75"
20" Round	24"x 18"	14"

B and C dimensions are "I.D." hole size dimensions
All dimensions +/- 0.25"

Features

- Welded Seams For Added Strength
- Welded Seams Provide Low Leakage
- Many Damper Hardware Options
- Pressure Rating - Designed Per SMACNA 3rd Edition 2005 Section 4.8 4-6 Brand Connections
- Union Made Yellow Label

Optional Construction

- Insulation Guard
- Deep manual bead
- Stainless Steel
- Galvanneal (Paint Grip)

Packaging

Size	Skid Qty	Size	Skid Qty
6"	140	14"	48
7"	MTO	16"	30
8"	140	18"	MTO
9"	MTO	20"	MTO

Guarantee

All Danbury Winair products are guaranteed by Danbury Winair against defective material.

Danbury Winair
558 Federal Rd, Danbury CT 06804
Tel: (888)671-3828
sheetmetal@mywinair.com :: mywinair.com