

Access What You Need, When You Need It

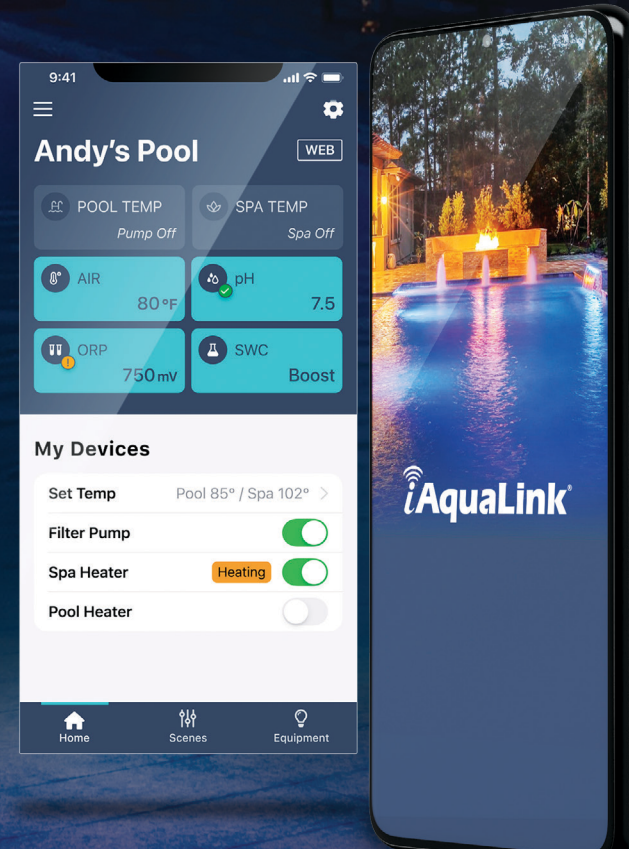
Pool Pro



Trouble-Free Troubleshooting

Connect with Bluetooth® to get full, real-time diagnostic capabilities displayed on the Fluidra Pro App.

Home Owners



Convenient Control

Automation-ready with anytime, anywhere control from your mobile device using iAquaLink® App.*

*Requires Jandy® AquaLink® Automation



PRO SPECS

- Available in three BTU sizes, 200K, 260K, 399K, and offered in both natural and propane gas models
- Venturi-driven air and gas mix for enhanced performance
- Reliable, balanced flow and temperature control with thermal regulator valve
- Differentiated limit switches meet applicable product safety standards
- Corrosion-resistant temperature sensors for reliable operation
- ASME compliant models available with robust heat exchanger tubes and corrosion resistant bronze headers

Standard Models

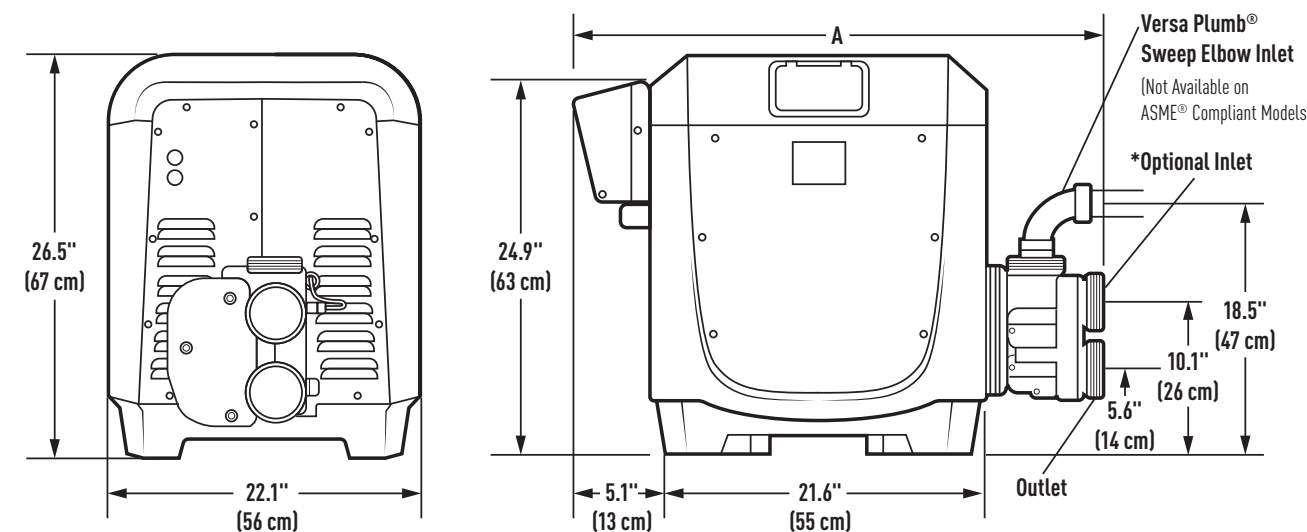
Part No.	Firing Rate	Gas Type	Heat Exchanger	Thermal Efficiency	Dim A	Weight	Vent Diameter*	Min. GPM	Max. GPM
JXiQ200NK	200K BTU	Natural Gas	Copper	83%	34.5	117 lbs.	6" (15 cm)	30	100
JXiQ260NK	260K BTU	Natural Gas	Copper	84%	34.5	120 lbs.	7" (18 cm)	30	100
JXiQ400NK	399K BTU	Natural Gas	Copper	84%	34.5	126 lbs.	8" (20 cm)	30	100
JXiQ200PK	200K BTU	Propane	Copper	83%	34.5	117 lbs.	6" (15 cm)	30	100
JXiQ260PK	260K BTU	Propane	Copper	84%	34.5	120 lbs.	7" (18 cm)	30	100
JXiQ400PK	399K BTU	Propane	Copper	84%	34.5	126 lbs.	8" (20 cm)	30	100

ASME® Compliant

JXiQ260NC	260K BTU	Natural Gas	Copper	84%	31.6	163 lbs.	7" (18 cm)	30	100
JXiQ260PC	260K BTU	Propane	Copper	84%	31.6	163 lbs.	7" (18 cm)	30	100
JXiQ400NC	400K BTU	Natural Gas	Copper	84%	31.6	168 lbs.	8" (20 cm)	30	100
JXiQ400PC	400K BTU	Propane	Copper	84%	31.6	168 lbs.	8" (20 cm)	30	100
JXiQ260NS	260K BTU	Natural Gas	Cupronickel	83%	31.6	163 lbs.	7" (18 cm)	30	100
JXiQ260PS	260K BTU	Propane	Cupronickel	84%	31.6	163 lbs.	7" (18 cm)	30	100
JXiQ400NS	400K BTU	Natural Gas	Cupronickel	84%	31.6	168 lbs.	8" (20 cm)	30	100
JXiQ400PS	400K BTU	Propane	Cupronickel	84%	31.6	168 lbs.	8" (20 cm)	30	100

*Minimum vent pipe size for Category I installations.

DIMENSIONS



TRADE SERIES EXCLUSIVE



A Fluidra Brand | Jandy.com | 1.800.822.7933

©2024 Fluidra. All rights reserved. The trademarks and trade names used herein are the property of their respective owners. Apple and the Apple logo are trademarks of Apple, Inc., registered in the U.S. and other countries. App Store is a service mark of Apple, Inc. registered in the U.S. and other countries. Google Play and the Google Play logo are trademarks of Google LLC. 61359_SL



Jandy®

The **SMARTEST** Way
to Heat Your Pool and Spa



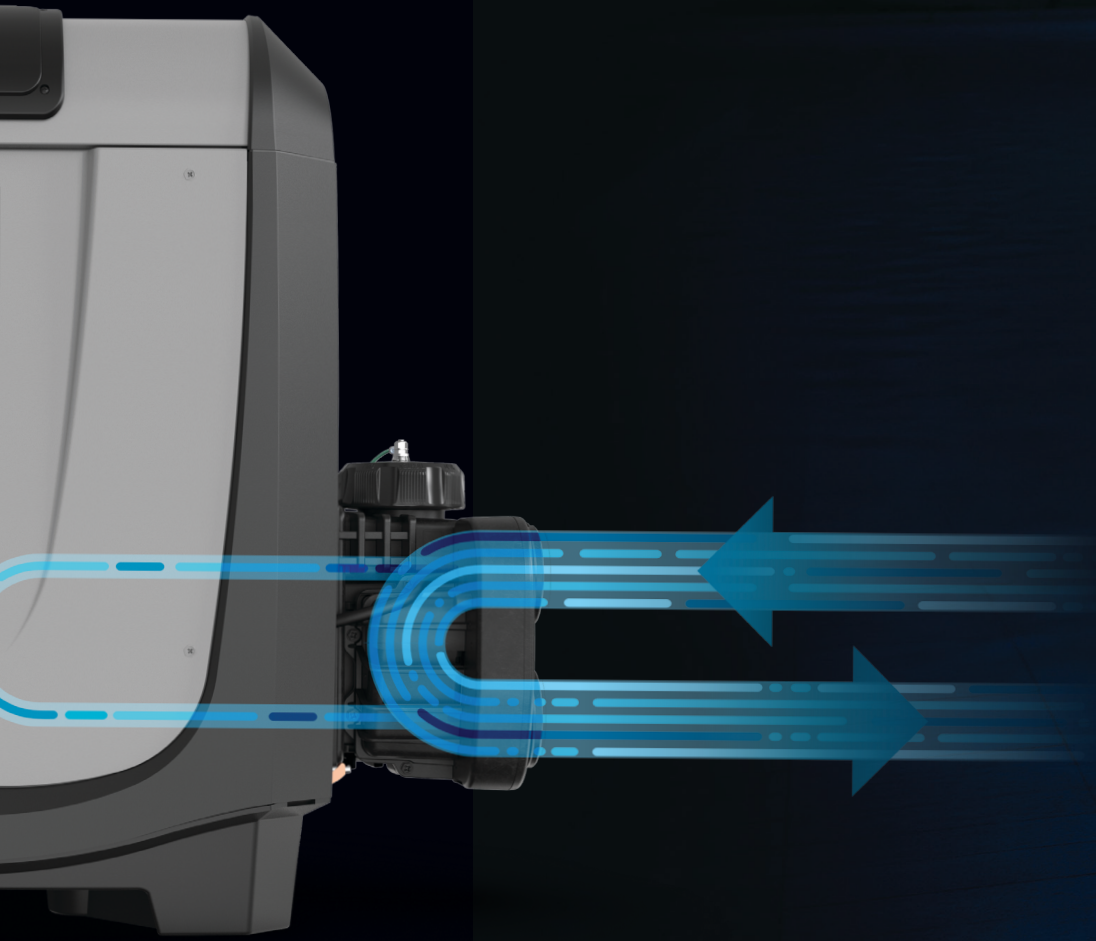
OFFICIAL
POOL
EQUIPMENT
SUPPLIER



JXiQ™
GAS HEATER

Take the Guesswork out of **Pool Heating**

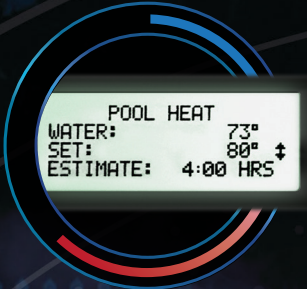
Engineered for installation ease and cost-efficient operation, the JXiQ™ gas pool & spa heater features SMART sensors to ensure proper installation and performance and provide convenient functionality.



Heat When You Want. Save When You Don't.

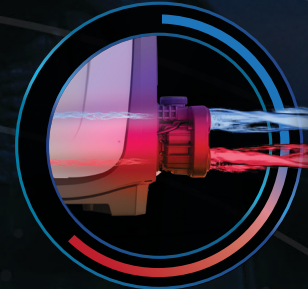
Innovative VersaFlo Integrated Bypass technology* automatically directs water through the heat exchanger only when heat is needed

*VersaFlo Integrated Bypass is available factory-installed on all non ASME compliant models.



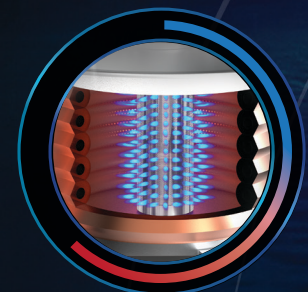
Largest Display in the Industry

Digital display is 50% larger than before and capable of showing 80 characters



Optimize Flow

Measures temperature rise between the inlet and outlet to optimize flow and avoid heat exchanger failures



Low Gas Pressure Sensor

Ensures there's enough gas pressure to safely ignite



Estimates Heat Up Time

Calculates and displays how long it will take water to reach desired temperature setpoint



115V ⚡ 230V



Auto-Sensing Power Input

Automatically adjusts to supplied power when installed, no cards to flip and no wires to change



Superior Corrosion Defense

A sacrificial anode draws corrosive elements in the water away from susceptible parts and equipment

*Not included on JXiQ ASME models



5-Year Heat Exchanger Limited Warranty

Industry leading 5-Year standard limited warranty on the heat exchanger*

*5-year warranty applies to non ASME compliant models with VersaFlo Integrated Bypass only



Versa Plumb® Ready

Installation in the Versa Plumb system reduces plumbing costs and increases hydraulic efficiency.



Flexible Installation. Easy Servicing.

Top is easily removed and rotated 180 degrees for increased accessibility; includes flip up electrical panel for more compact pool pad setups.



Keeps Critters Out

No more chewed up wires. The JXiQ™ is made with a fully enclosed shell to protect against rodent intrusion and damage.



Ultra-Compact Lightweight Design

Fits on a 2' x 2' pad and is 38% lighter with a 28% smaller footprint.*

*Compared to popular competitor models.