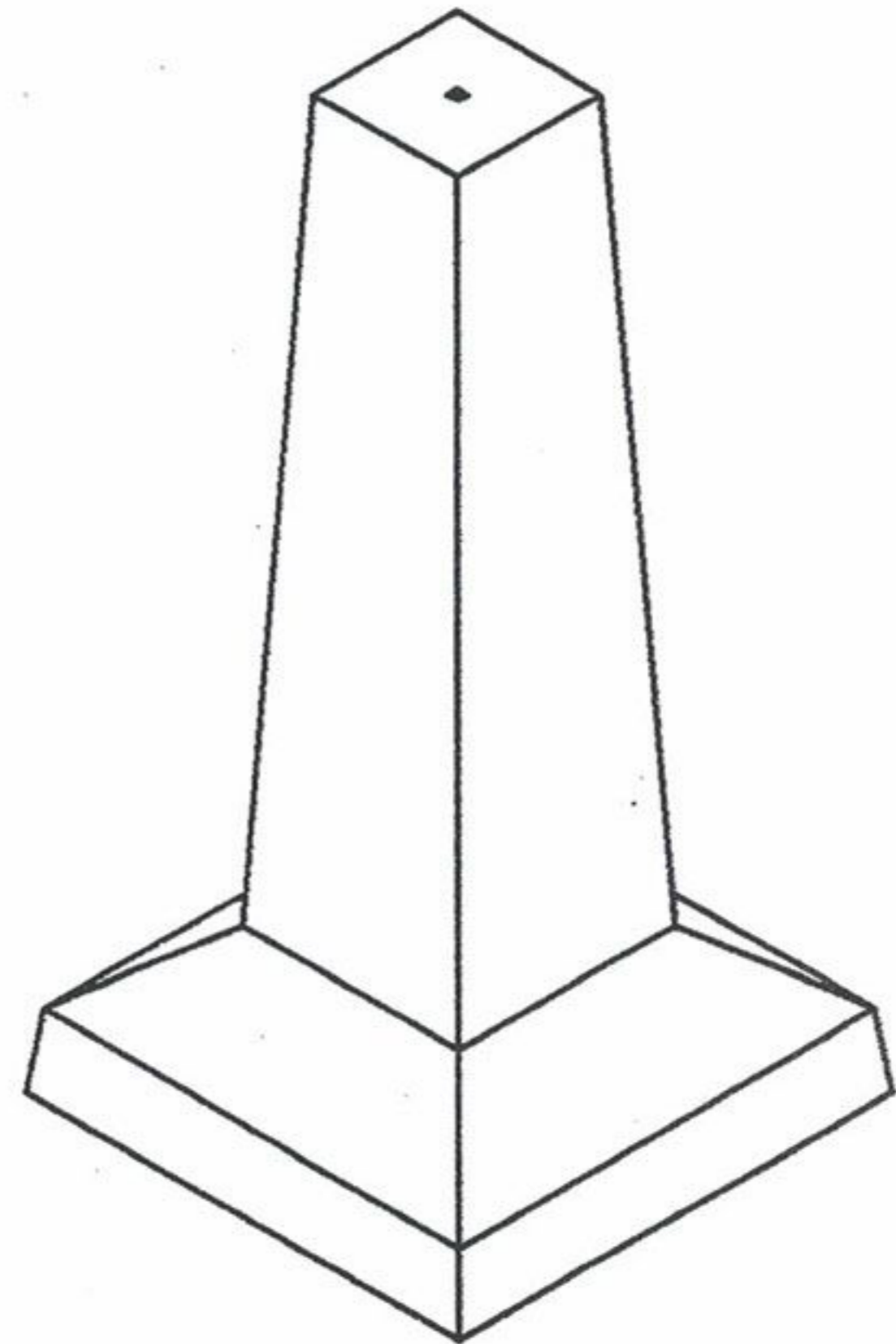


TOP VIEW



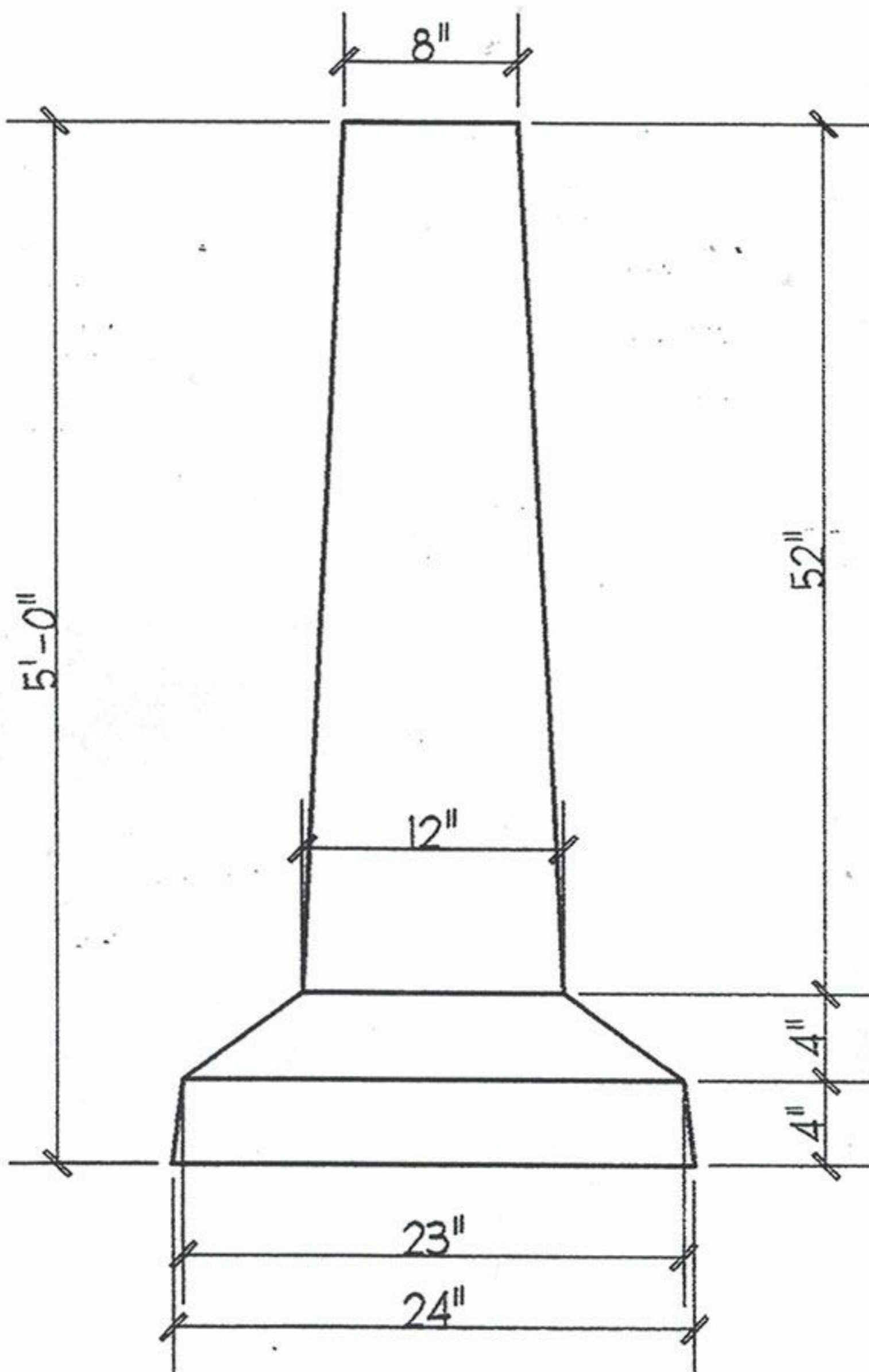
PRECAST VS. CONVENTIONAL

CONVENTIONAL 12" DIAMETER SONOTUBE:
 ALLOWABLE LOAD BEARING CAPACITY =
 ALLOWABLE BEARING CAPACITY * AREA =
 $2000\text{PSF} * (0.5 * 0.5 * 3.142) = 1571 \text{ lbs.}$
MAX LOAD BEARING IS 1,571 lbs.

PRECAST SONOTUBE:
 ALLOWABLE LOAD BEARING AT TOP =
 CONCRETE PSI * AREA / FACTOR OF SAFETY
 $5000\text{PSI} * (8 * 8) / 2.22 = 144,144 \text{ lbs.}$

ALLOWABLE LOAD BEARING AT SOIL =
 ALLOWABLE BEARING CAPACITY * AREA =
 $2000\text{PSF} * (2 * 2) = 8,000 \text{ lbs.}$

THEREFORE MAX ALLOWABLE LOAD APPLIED
 IS LIMITED BY THE SOILS CAPACITY OF
8000 lbs. WHICH IS GREATER THAN THE MAX
 LOAD OF 1,571 lbs. FOR THE 12" SONOTUBE



SIDE VIEW

GENERAL NOTES:

1. CONCRETE 5000 PSI IN 28 DAYS.
2. CALCULATIONS BASED ON SOIL PRESSURE OF 2000 PSF.

| ITEM | WEIGHT |
|-------|--------|
| SON05 | 725 |

MEANS PRE-CAST CO, INC.
 151 ADAMS STREET, BRAINTREE, MA 02184

STYLE NUMBER

FOR ADDITIONAL INFORMATION CALL 781-843-1909